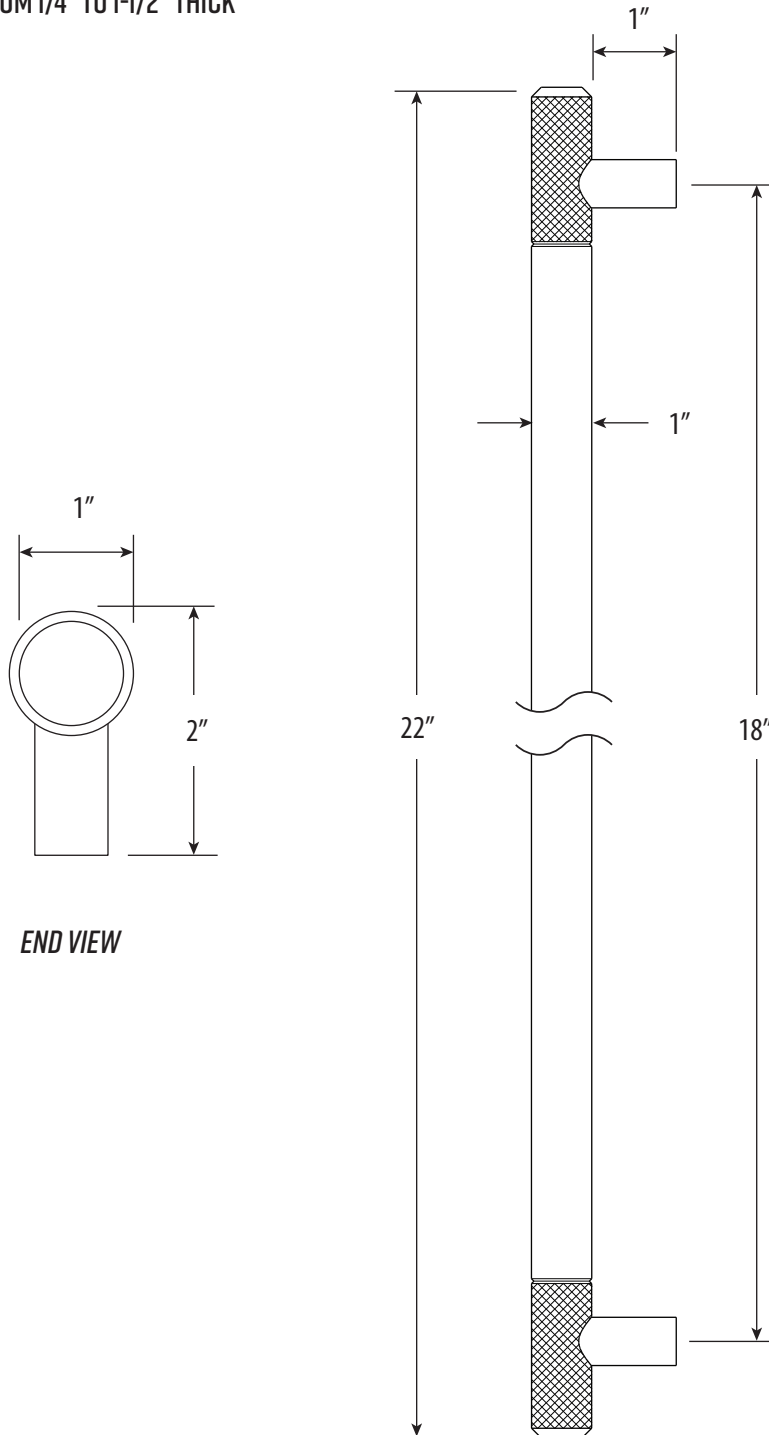


MODERN INDUSTRIAL 18" APPLIANCE / DOOR PULL

HMP-1800

• FITS MATERIALS FROM 1/4" TO 1-1/2" THICK



 **ECO BRASS**
HIGH PERFORMANCE LEAD FREE BRASS

DIMENSIONS MAY VARY AND ARE SUBJECT TO CHANGE. NO RESPONSIBILITY IS ASSUMED FOR USE OF SUPERCEDED OR VOIDED DATA