

WATERMARK

BROOKLYN, NEW YORK

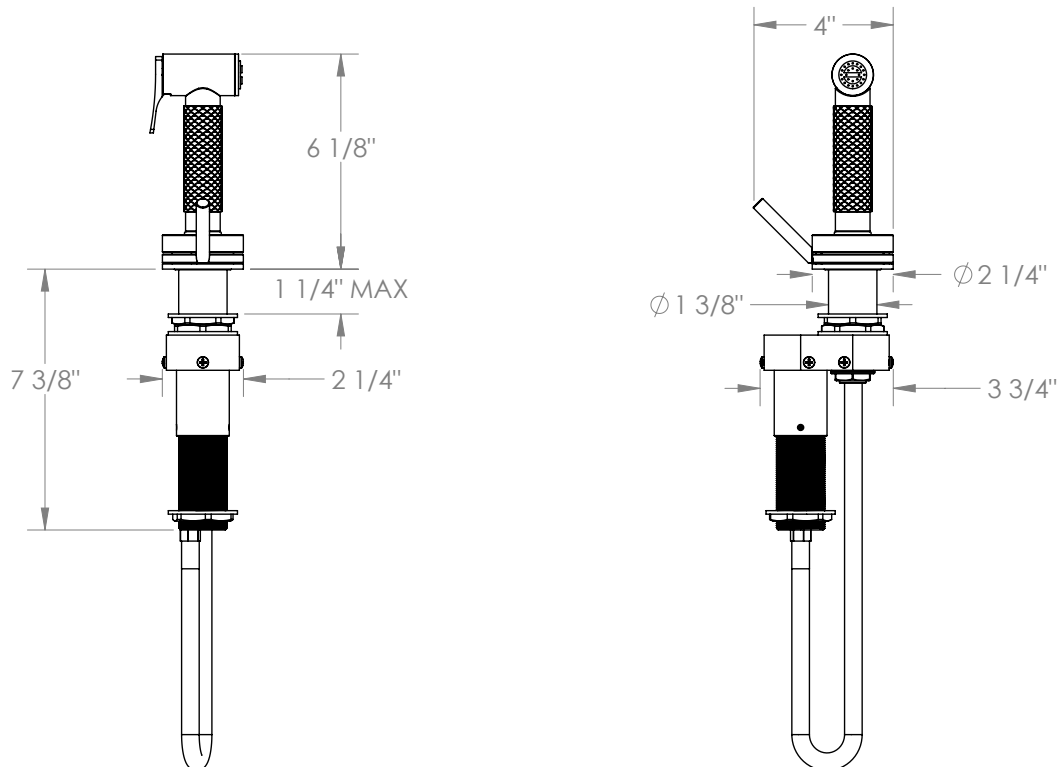
Kitchen MSALO.1

Deck Mounted Independent Lily Ogee Side Spray
with Integrated Mixer



- Side Spray Hose Length: 50" (Final Length May Vary)
- Fits Deck Up To 2" Thick
- Recommended Mounting Hole: 1-3/8"
- All Lead-Free Brass Construction
- Maximum Flow Rate 2 GPM
- Professional Installation Required

Available in all finishes shown on the [Watermark Designs website](#)



Meets the applicable requirements of ASME A112.18.1-2005/CSA B125.1-05, entitled "Plumbing Supply Fittings".

Watermark Designs reserves the right to make revisions without notice to produce specifications. All product dimensions are nominal.

09/2023

350 Dewitt Ave. Brooklyn, NY 11207 USA | T: 1 718 257 2800 | F: 1 718 257 2144 | customerservice@watermark-designs.com