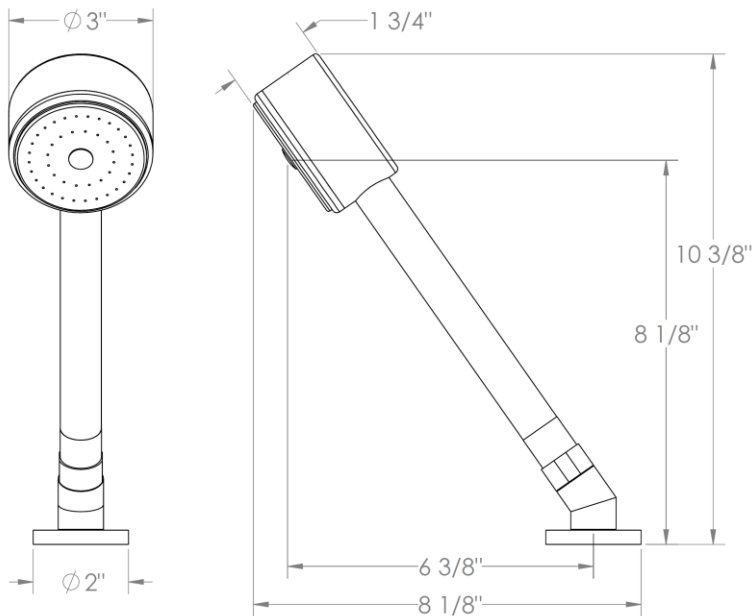


31-DHSV

Deck Mounted Volume Hand Shower Set

Includes SH-LFT30 straight pull out volume hand shower and DM-3079 hose
Flow Rate: 1.75 GPM



Meets the applicable requirements of ASME A112.18.1-2005/CSA B125.1-05, entitled "Plumbing Supply Fittings"

WATERMARK DESIGNS 1/7/2019