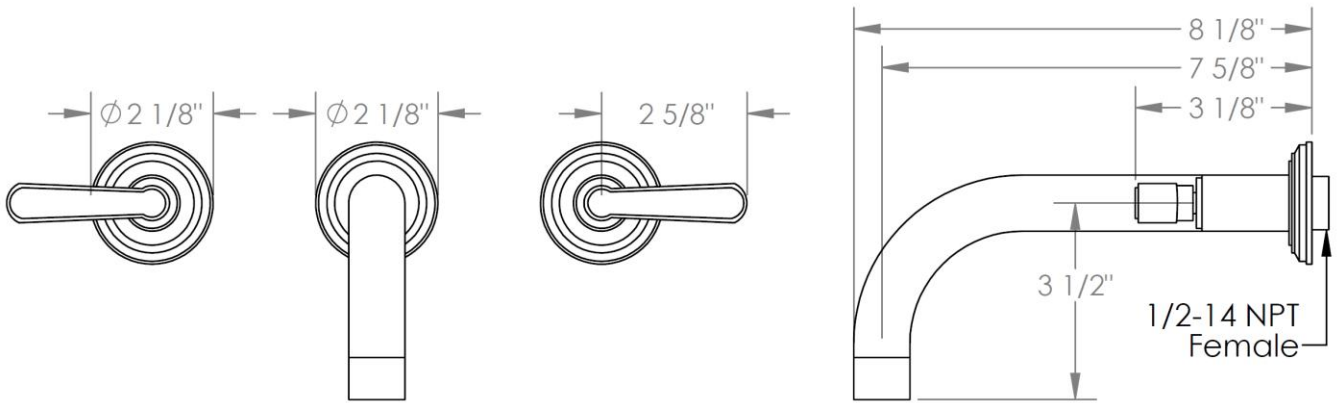


**30-5-\_\_**

Wall Mounted 3 Hole Bath Set Trim Only

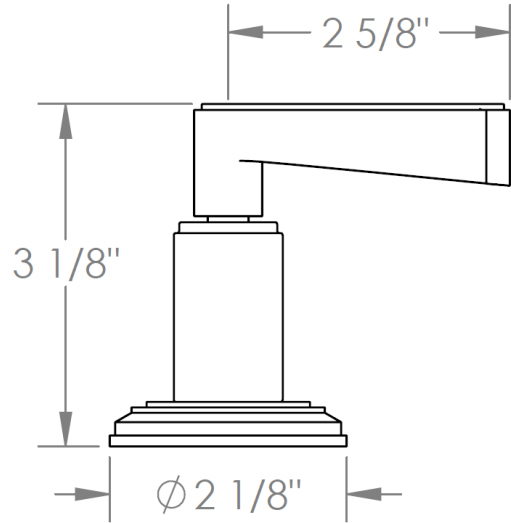
Requires SS-506 or SS-THV2.2-26C concealed rough



Meets the applicable requirements of ASME A112.18.1-2005/CSA B125.1-05, entitled "Plumbing Supply Fittings"

HANDLE TRIM OPTIONS

TR24 - NORWOOD



TR25 - UNION

