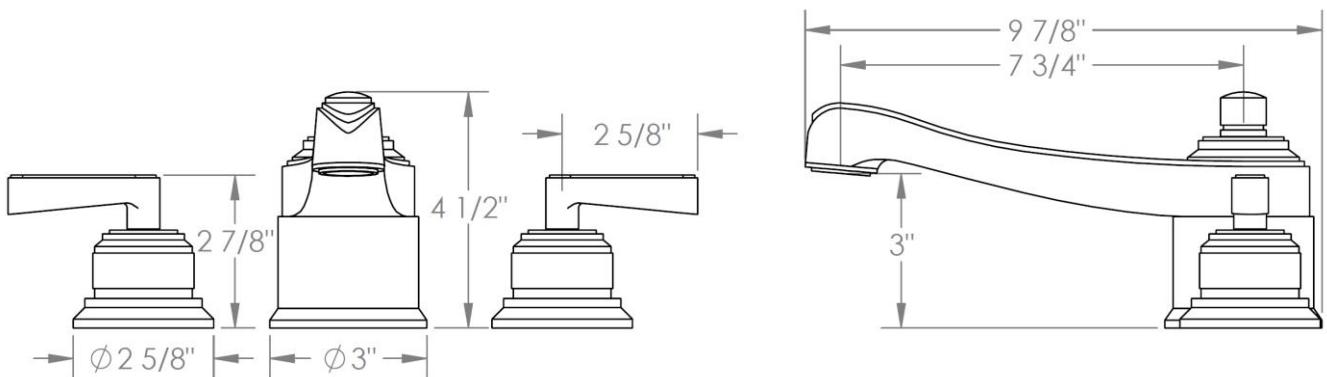
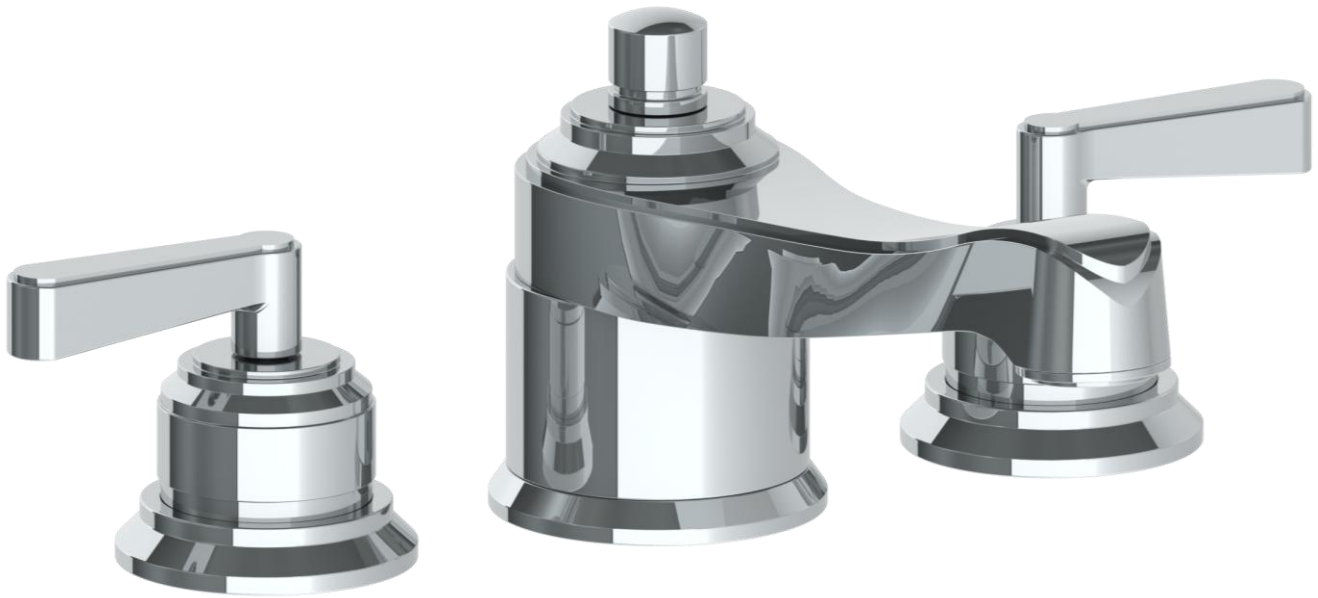


29-8-\_\_

Deck Mounted 3 Hole Bath Set

Note: Some building codes require remote pressure balance valves for anti-scald



Meets the applicable requirements of ASME A112.18.1-2005/CSA B125.1-05, entitled "Plumbing Supply Fittings"

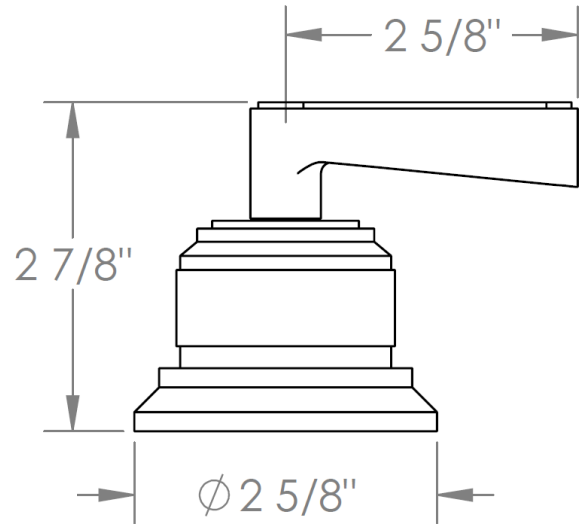
**WATERMARK** DESIGNS

11/5/2018

350 Dewitt Ave Brooklyn NY 11207 USA T 718 257 2800 F 718 257 2144 info@watermark-designs.com

HANDLE TRIM OPTIONS

TR14 - BEEKMAN



TR15 - GOTHAM

