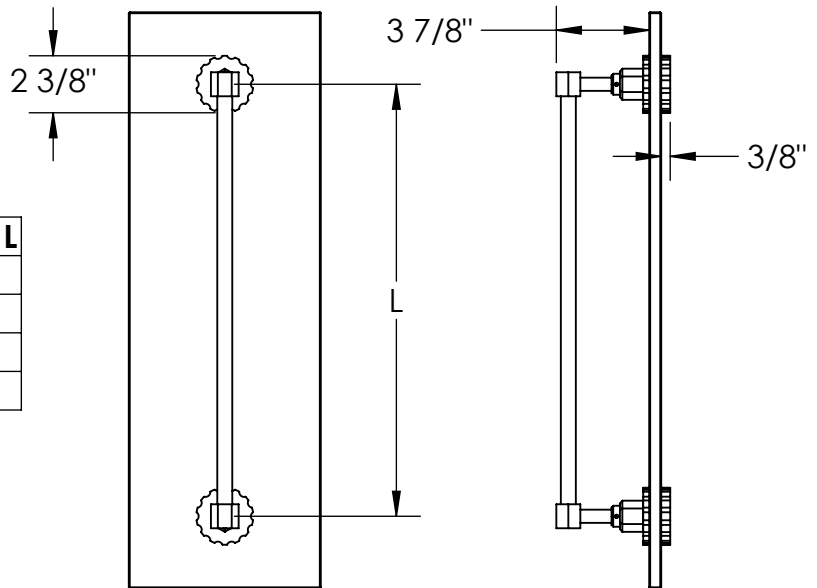


133-0.1-_GDP

Glass Mounted Single Door Pull

For use with 1/2" thick glass with $\phi 1/2"$ holes



Model No.	Dimension of L
133-0.1-6GDP	6"
133-0.1-12GDP	12"
133-0.1-18GDP	18"
133-0.1A-GDP	24"

Meets the applicable requirements of ASME A112.18.1-2005/CSA B125.1-05, entitled "Plumbing Supply Fittings"