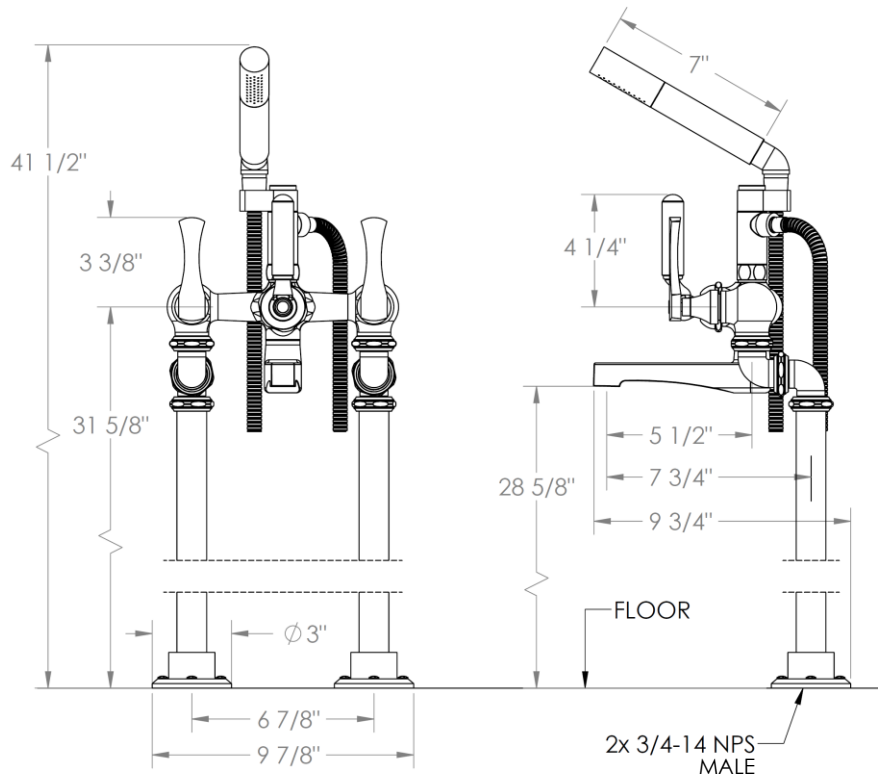


125-8.3_

Floor Mounted Bath Set with Hand Shower

Hand Shower Flow Rate: 1.75 GPM

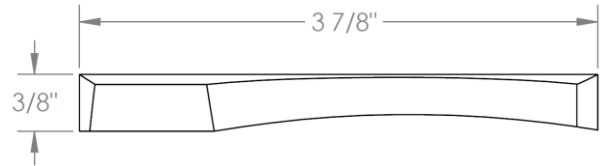
Note: Some building codes require remote pressure balance valves for anti-scald



Meets the applicable requirements of ASME A112.18.1-2005/CSA B125.1-05, entitled "Plumbing Supply Fittings"

HANDLE TRIM OPTIONS

BG4 - JOYCE



BG5 - MARKET

