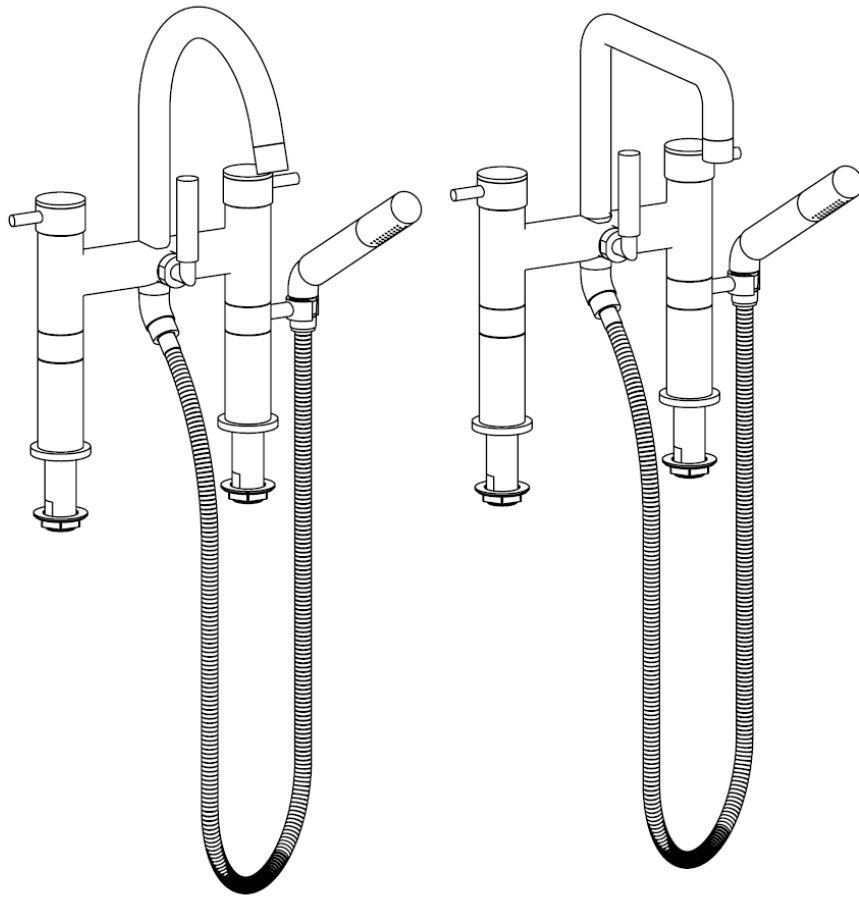


WATERMARK

MADE IN BROOKLYN, NEW YORK

INSTALLATION INSTRUCTION



Deck Mounted Tub Filler with Hand Shower

22-8.2/22-8.26.2



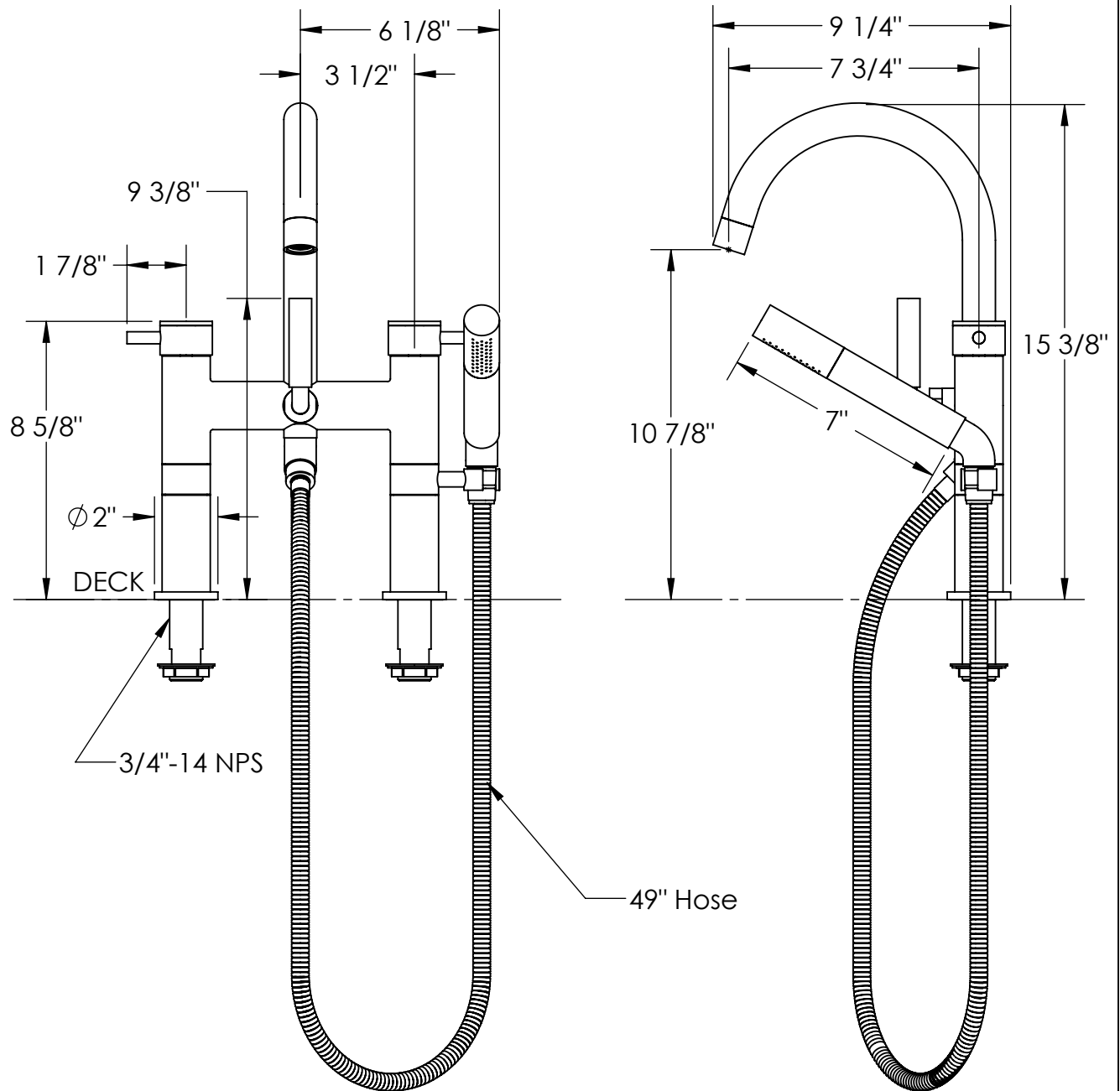
ASME A1 12.18.1

NSF61

CAS B125.1

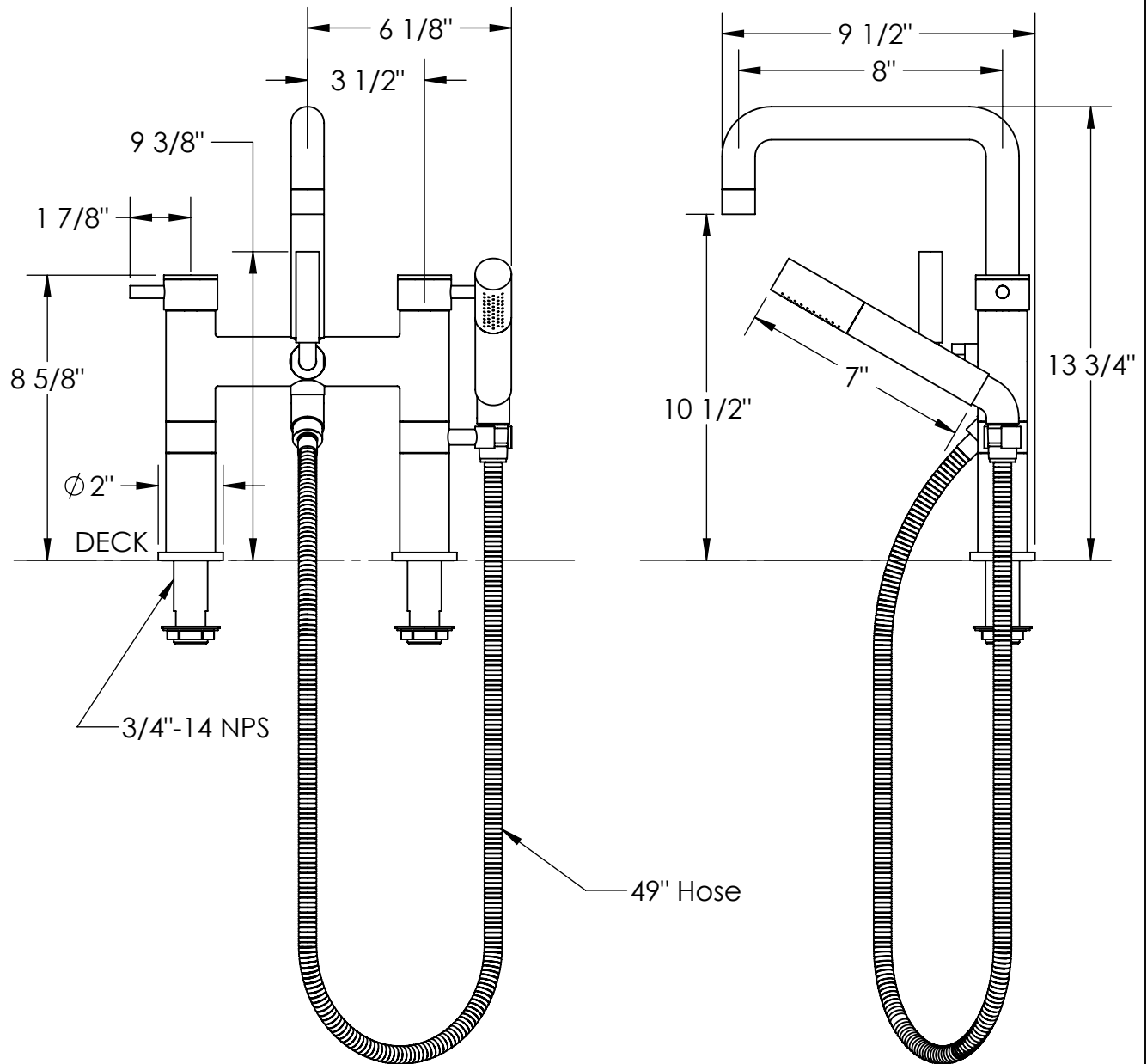
ROUGH-IN DIMENSIONS

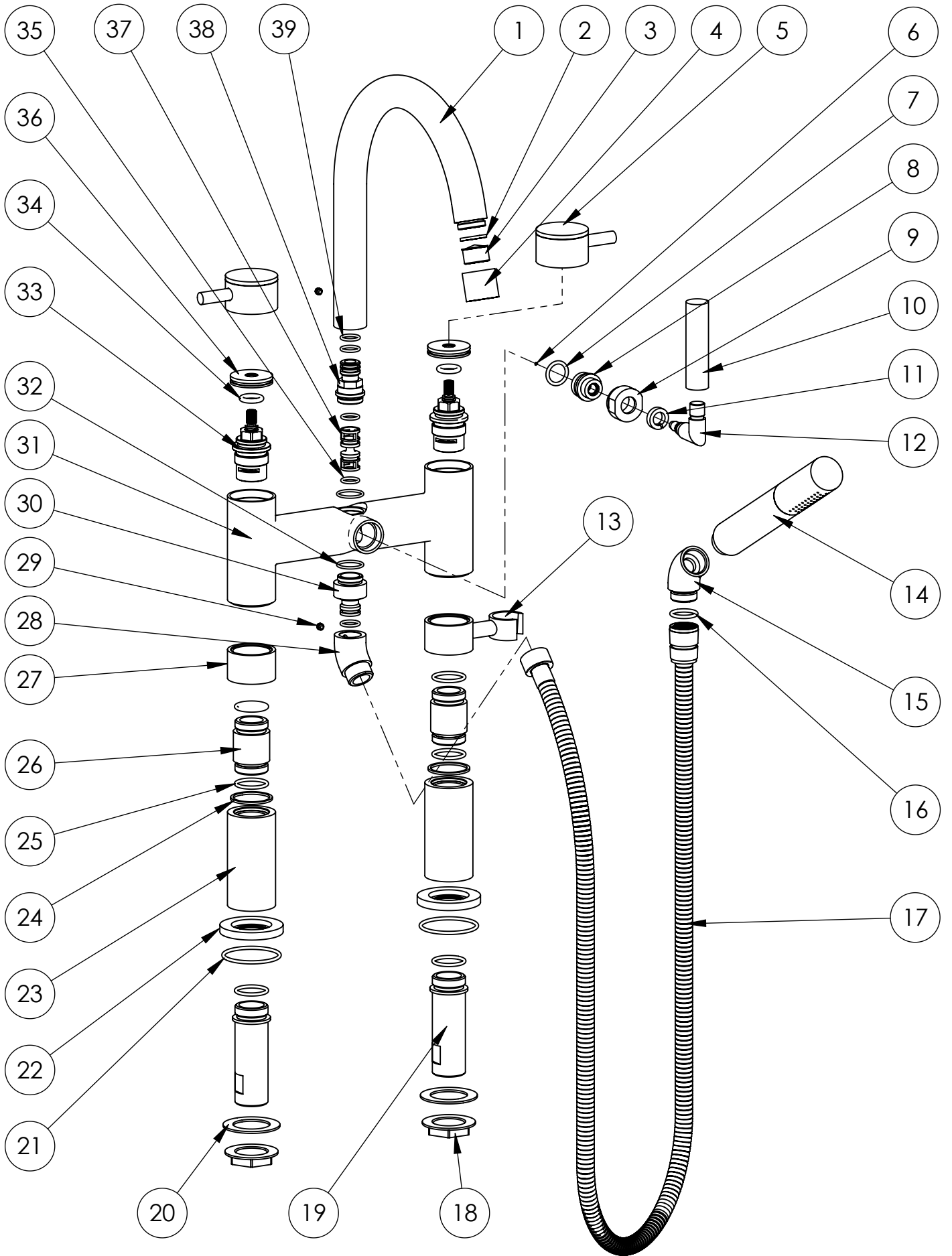
22-8.2



ROUGH-IN DIMENSIONS

22-8.26.2





ITEM NO.	PART NUMBER	QTY.
1	Spout	1
2	Aerator Gasket (16MM ID, 2.2MM Thick)	1
3	Aerator Gut	1
4	Aerator Shell	1
5	Handle	2
6	Retaining Ring	1
7	O-Ring (15MM ID, 2.6MM CS)	1
8	22-8.2-DVRTR-CAM (HKCJ)	1
9	Diverter Nut	1
10	Diverter Lever	1
11	Plastic Bushing	1
12	Diverter Post	1
13	Spacer + Hand Shower Hook	1
14	Hand Shower	1
15	Hand Shower Elbow	1
16	O-Ring (#115)	1
17	49" Hose	1
18	Mounting Nut	2
19	Supply Nipple	2
20	Gasket (29.5MM ID, 1.5MM Thick)	2
21	O-Ring (42MM ID, 2.5MM CS)	2
22	Escutcheon	2
23	Leg	2
24	Plastic Washer	4
25	O-Ring (22MM ID, 2.5MM CS)	6
26	Leg Insert	2
27	Spacer	1
28	Hand Shower Adapter Elbow	1
29	Set Screw	2
30	Hand Shower Adapter	1
31	Body	1
32	O-Ring (18MM ID, 1.8MM CS)	2
33	Cartridge	2
34	O-Ring (#206)	2
35	O-Ring (11MM ID, 2MM CS)	2
36	Cartridge Cap	2
37	Diverter Cartridge	1
38	Spout Nipple	1
39	O-Ring (12MM ID, 2MM CS)	3

INSTALLATION INSTRUCTIONS

ATTENTION

1. The cartridges in the main body have been tested and adjusted by the factory. DO NOT take the cartridges apart.
2. Flush out the water supply pipes to clear out debris before installation to ensure a clean water supply and prevent the cartridges from being jammed.
3. Connect the hot-water supply on the left and the cold-water supply on the right of the rough body (relative to the tub filler spout).

Flow pressure: Min: 7.25 psi Max: 232 psi

Recommended pressure: 14.5 psi to 116 psi

	45 PSI	60 PSI	80 PSI
Flow rate at ___ PSI:	9.7 GPM	11.1 GPM	13.0 GPM

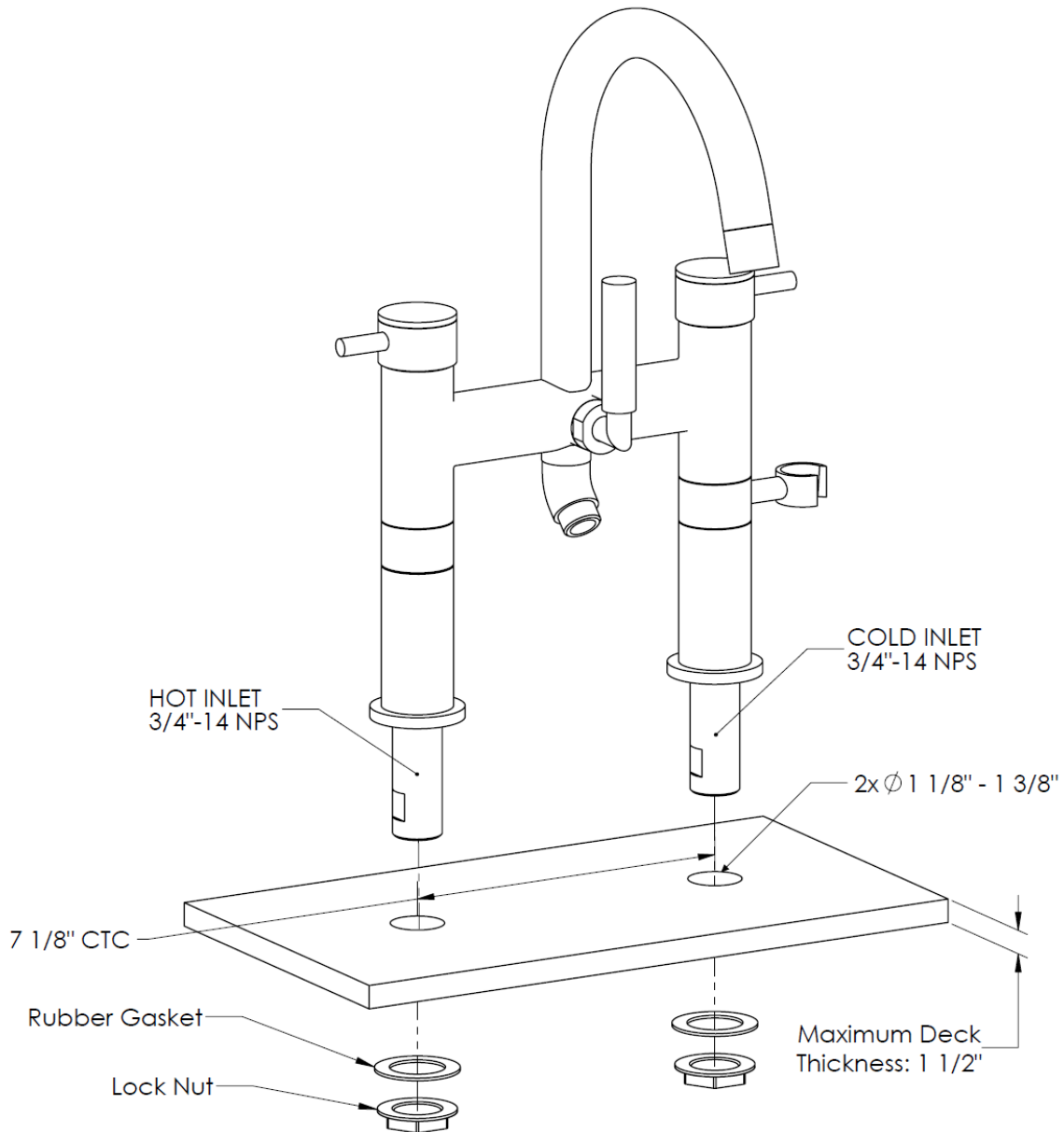
TO KEEP THE QUALITY OF THE TUB FILLER PLEASE FOLLOW THESE INSTRUCTIONS

- Rinse the tub filler with water.
- DO NOT use any cleaning agents containing abrasive or coated abrasive materials.
- DO NOT use any cleaning agents containing acids, polish abrasives, or hard cleaners or soaps.

IF TUB FILLER REQUIRES REGULATORY OR HEAVY CLEANING, THE FOLLOWING PROCEDURES ARE RECOMMENDED

1. Clean the tub filler with water.
2. Remove tough surface film and build-up with: SOFT liquid cleaning agents or clear liquid glass cleaners; non-acidic, non-abrasive gentile liquid; fully dissolved powder cleaners mixed according to the manufacturer's directions; or non-abrasive liquid polishers.
3. After cleaning, make sure to fill sufficiently with clear water to completely remove remaining cleaning agents. Then dry with a soft cotton cloth.

INSTALLATION INSTRUCTIONS



1. Drill two holes with diameters between 1 1/8" – 1 3/8" into the deck- which should have a maximum thickness of 1 1/2" - with a center-to-center distance of 7 1/8".
2. Carefully remove tub filler from the box. Tub filler should already be preassembled. (NOTE: Hand Shower + Hose not shown in above diagram)
3. Unscrew the mounting lock nuts and remove the gaskets from the tub filler.
4. Insert the tub filler into the deck.
5. Reattach the gaskets and lock nuts and tighten them against the bottom of the deck until the tub filler is firmly mounted to the deck.
6. Install the hot and cold supply lines to the 3/4"-14 NPS threads on the tub filler nipples.