

## Standard-R EWATER+® Touchless Faucet

### FEATURES

- Micro-sensor positioned underneath the spout head provides accurate hand detection and ensures smooth, consistent water distribution
- EWATER+® mists the drain area of lavatory with electrolyzed water, reducing the need for harsh cleaning chemicals
- Vandal resistant nozzle
- Aerated flow
- Durable chrome plated spout body
- Kit includes spout body, controller box, and mounting hardware (supply lines not included)
- Equipped with 0.5 gpm flow control. 0.08 gpc, 10 sec on-demand flow

### MODELS

- T28S51S#\$\$**
  - TLE31002U1#\$\$ (Standard-R EWATER+ Spout 10 sec on-demand)
  - TLE02502U (Controller: EWATER+, AC, 0.08 gpc)
- T28S51SM#\$\$**
  - TLE31002U1#\$\$ (Standard-R EWATER+ Spout 10 sec on-demand)
  - TLE02502U (Controller: EWATER+, AC, 0.08 gpc)
  - TLM10 (Mixing Valve)
- T28S51ST#\$\$**
  - TLE31002U1#\$\$ (Standard-R EWATER+ Spout 10 sec on-demand)
  - TLE02502U (Controller: EWATER+, AC, 0.08 gpc)
  - TLE05701U (Thermostatic Mixing Valve)

### COLORS/FINISHES

- #CP Polished Chrome

### OPTIONAL ACCESSORIES

- THP3158#CP - 4" Cover Plate
- THP3159#CP - 8" Cover Plate
- THP3237 - Swivel Coupling



AC SYSTEM



### PRODUCT SPECIFICATION

TOTO Model # \_\_\_\_\_ The faucet shall have maximum of 10 seconds on-demand flow (0.08 gpc). The faucet shall have self-adjusting sensor. Product equipped with 0.5 gpm flow regulator

### CODES/STANDARDS

- Operates below federally mandated consumption limit of 0.25 gpc
- Complies to California Green Building Code, CALGreen max flow of 0.20 gpc
- Meets or exceeds ASME A112.18.1/CSA B125.1, and NSF 372
- Meets or exceeds UL 1951, CSA C22.2 No.14 and 68
- Certifications: IAPMO(cUPC), California Energy Commission (CEC), State of Massachusetts, and others
- Complies with City of Los Angeles Water Efficiency Ordinance
- ADA compliant
- Complies with Federal and State statutes as low-lead (contains a weighted average of 0.25% lead or less)
- Complies with CA Prop 65 warning requirements



\*For codes and standards of mixing valves TLM10 and TLE05701U, please refer to corresponding product spec sheet

# T28S51S Series

## Standard-R EWATER+® Touchless Faucet

### SPECIFICATIONS

Type	AC
Power Supply	AC 120V
Sensor Detection Range	5-1/8" ~ 7-7/8" (130 ~ 200 mm) Sensor is self-adjusting
Water Supply Pressure	Min (Dynamic/Flowing) Pressure: 15 psi (100 kPa) Max (Static) Pressure: 80 psi (551 kPa)
Water Supply	G 1/2" (1/2" NPSM compatible)
Inlet Temperature Range	39-110°F (4-43°C)
Ambient Temperature	32-104°F (0-40°C)
Humidity	Max. 90% RH
Flow Rate	0.08 gpc (0.32 Lpc)** - max 10 second On Demand*** (0.08 gpc = 0.5 gpm x 10/60 sec) Equipped with 0.5 gpm flow control
Warranty	Three years

### NOTE

This spout must be used with EWATER+ controller TLE02502U.

Following the federal mandate for water efficiency outlined in the Environmental Protection Act of 1992, faucets can be rated for water consumption based on two categories: Flow Rate and Water Consumption. TOTO uses the water consumption standard because it is the most accurate method of measuring water use. TOTO faucets also comply with the CALGreen Guideline of water usage.]

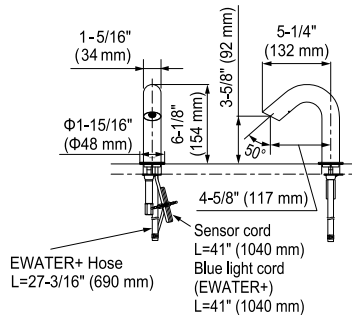
#### Water Savings

TOTO On-Demand [10 sec.] faucet (0.08 gpc):  
64% savings over Federal Standard (0.25 gpc)  
55% savings over CAL Green (0.20 gpc)

\*\*Gallons per cycle (gpc) is the amount of water discharged per usage cycle.

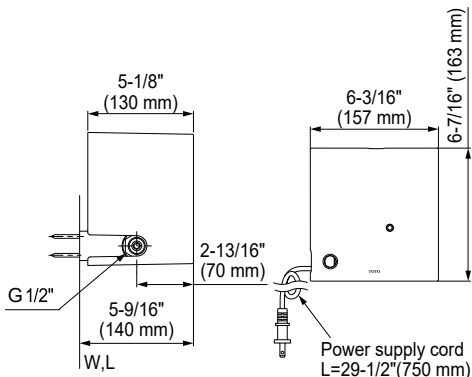
\*\*\* On-demand refers to the way in which the water is dispensed (i.e.; water is only dispensed when the sensor is activated by the user as needed).

### Standard-R Touchless Faucet

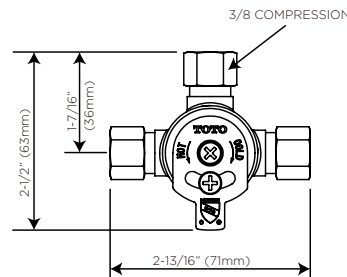


- Mounting deck thickness: 1/4" (5 mm) - 2" (50 mm)
- Spout hole: Ø1-1/4" (Ø32 mm) - Ø1-3/8" (Ø35 mm)

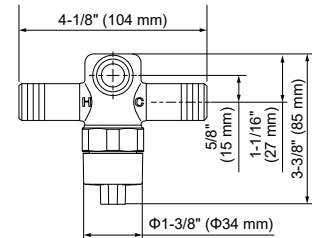
### EWATER+ Controller



### Available Mixing Valves



#### Hot/Cold Mixing Tee (TLM10)



G1/2" (1/2" NPSM Compatible) threaded fittings

#### Thermostatic Mixing Valve (TLE05701U)

**TOTO®**

These dimensions and specifications are subject to change without notice