



PERRIN & ROWE® CONCEALED WALL VALVE VOLUME CONTROL TRIM OR DIVERTER TRIM

ROHL Perrin & Rowe® Bath

U.3064LS/TO (Lever Handle)

FEATURES

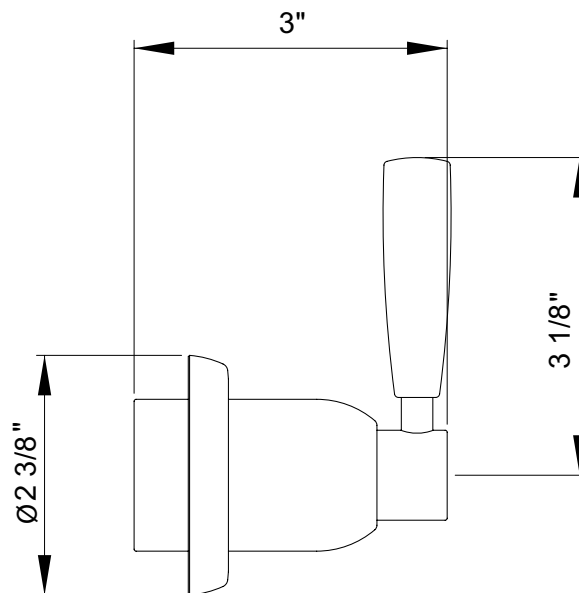
- Trim only
- No temperature indicator
- Applications:
 - Wall valve volume control: U.3240R or R1040R rough required
 - 3-port, 2-way diverter: U.5542NVO rough required
 - 4-port, 3-way diverter: R1062BO or U.5562NBO rough required

COLORS/FINISHES

- Polished Chrome
- Polished Nickel
- Satin Nickel

WARRANTY

- Limited Lifetime



INSTALLATION INSTRUCTIONS

ROHL R1040R

Rough 3/4" Counterclockwise Opening
Concealed Wall Valve for Volume Control

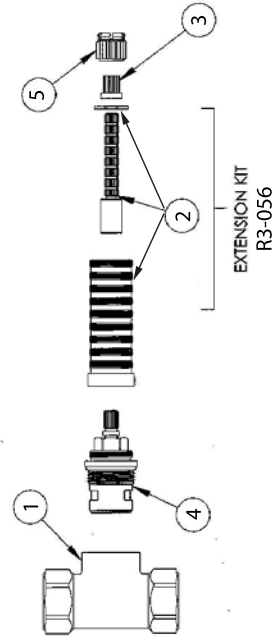
INSTALLATION INSTRUCTIONS

*SUITABLE FOR PERRIN & ROWE, ROHL COUNTRY,
AND MICHAEL BERMAN SHOWER INSTALLATIONS

WORKS WITH THESE TRIM SETS:

Manufacturer	Model
Perrin & Rowe	Nicolazzi
U.5542 U.5543	A4912
U.5742 U.5743	A2912
U.3240 U.3241	A4012
U.3774 U.3775	A4212
U.3604 U.3605	
	Michael Berman
	MB1951

ITEM NO.	PART NUMBER	DESCRIPTION	QTY.
1	N/A	3/4 SHUTOFF TEE	1
2	R3-056	20 FT. BROACH STABILIZER	1
		20 POINT BROACH EXTENSION	1
		M24X1.0 ALL THREAD EXTENSION	1
3	9.15402	STEM ADAPTOR FOR PERRIN & ROWE	1
4	10215	STANDARD COUNTERCLOCKWISE CARTRIDGE	1
	10214	CLOCKWISE CARTRIDGE (SOLD SEPARATELY)	1
5	R30083	STEM ADAPTOR NICOLAZZI	1



ROHL WARRANTY POLICY

- ROHL PRODUCTS ALL CARRY WARRANTIES AGAINST MANUFACTURING DEFECTS.
- THE R1040R VALVES CARRY A LIMITED LIFETIME WARRANTY.
- ROHL LLC WILL PROVIDE FREE OF CHARGE, AT ITS OPTIONS, REPLACEMENT PART(S) OR PRODUCT (OR A COMPARABLE ALTERNATIVE PRODUCT) TO REPLACE THOSE WHICH HAVE PROVEN DEFECTIVE IN MATERIALS OR WORKMANSHIP.

SPARE PARTS AND SERVICE:

ROHL
3 PARKER
IRVINE, CA 92618
P (714) 557-1933
F (714) 557-8635
WWW.ROHLHOME.COM

INSTALLATION INSTRUCTIONS

Adaptors NOT needed if used for Michael Berman Volume Control

***Attention Installer:**
There are two adaptors on the valve. Please reference trim set for correct adaptor.

FINISHED WALL

2 1/2"

A

B

C

NOTE: Valves must be installed according to direction of flow

REQUIRED MEASUREMENTS

A = 1 1/8" MIN.

B = ~5/16" (MUST LEAVE MIN. 5/16" EXPOSED OR TRIM WILL NOT FIT)

C = ~3/4" (MUST LEAVE MIN. 3/4" EXPOSED OR HANDLE WILL NOT ATTACH)

BEFORE USE:

- CAREFULLY CHECK THE INSTALLATION FOR LEAKS.
- IF FURTHER WORK IS GOING TO BE DONE IN THE VICINITY OF THE VALVE AND TRIM, COVER THE INSTALLATION WITH A PLASTIC BAG TO HELP AVOID DAMAGE TO THE FINISH.

CARE AND MAINTENANCE:

- RECOMMEND OCCASIONAL CLEANING WITH WARM SOAPY WATER FOLLOWED BY POLISHING WITH A SOFT CLOTH TO KEEP THE PLATED FINISH IN GOOD CONDITION.
- DO NOT USE ABRASIVE LIQUIDS, POWDERS, OR PADS TO CLEAN THE PRODUCT. YOU WILL DAMAGE THE FINISH AND VOID THE WARRANTY.

SPECIFICATIONS

TEMPERATURE RANGE:

- MINIMUM 34°F
- MAXIMUM 185°F

RECOMMENDED OPERATING PRESSURE:

- MINIMUM 15 PSI
- MAXIMUM 75 PSI

INSTALLATION NOTES

- MUST HAVE BOTH ROUGH AND TRIM TO COMPLETE THE INSTALLATION.
- FLUSH THE PLUMBING SYSTEM BEFORE INSTALLING THIS PRODUCT.
- MUST FOLLOW DIMENSIONS SUPPLIED FOR INSTALLATION AND MAKE SURE ALLOWANCE IS MADE FOR FINISHED WALL MATERIAL SUCH AS TILE, ETC.
- MUST INSURE THE HANDLE IS VERTICAL WHEN THE VALVE IS IN THE "OFF" POSITION.

NOTE: Lever should be in UP position for 'off' (Michael Berman trim shown).

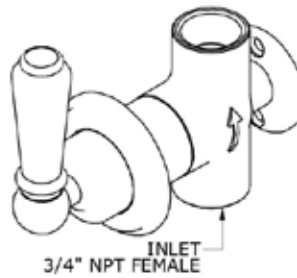
IMPORTANT: WE RECOMMEND THE USE OF A LICENSED PLUMBER TO INSTALL THIS PRODUCT. PLEASE READ AND UNDERSTAND THE PROVIDED INSTALLATION INFORMATION BEFORE PROCEEDING.

INSTALLATION INSTRUCTIONS



The Traditional Bathroom Collection

Installation & User Guide

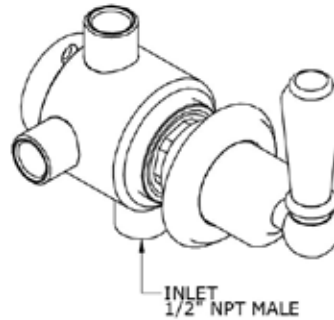


3/4" Wall Valve

PAIR
U.3230L
U.3230LS
U.3231X

SINGLE - ROUGH
U.3240R

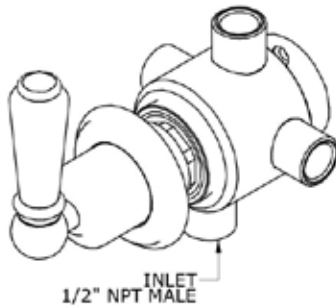
SINGLE - TRIM
U.3240TL
U.3240TLS
U.3241TX



Three Way Diverter

ROUGH
U.5542R-N
(U.5542NVO)

TRIM
U.3240TL
U.3240TLS
U.3241TX



Four Way Diverter

ROUGH
U.5562R-N
(U.5562NBO)

TRIM
U.3240TL
U.3240TLS
U.3241TX

Temp Range:
Min 34°F
Max 185°F

Recommended Working Pressure:
Min 15 psi
Max 75 psi

Where Rough and Trim Kits are used both must be ordered to complete the installation.

INSTALLATION INSTRUCTIONS

The Traditional Bathroom Collection Installation & User Guide

Congratulations on the purchase of your Perrin & Rowe Bathroom Product. Correctly installed and with sensible care, this product will give you many years of trouble free service.

IMPORTANT INFORMATION

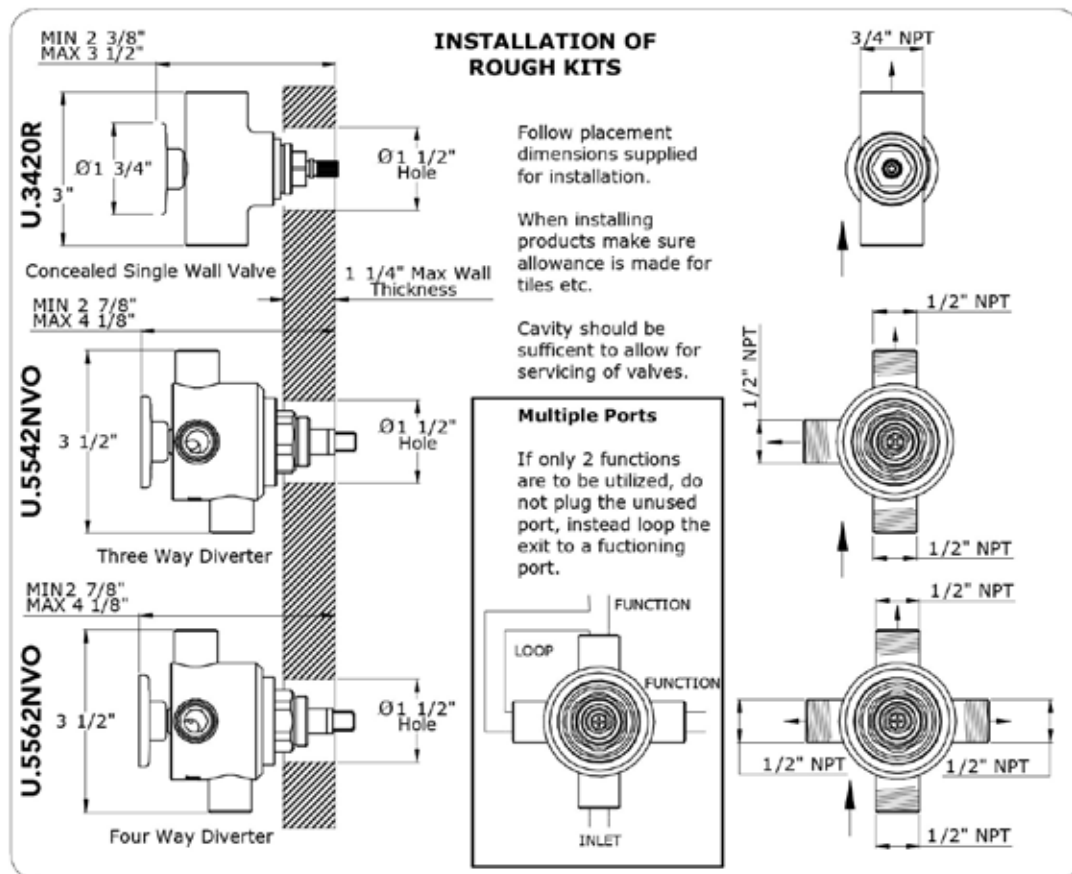
Before you proceed... We recommend you engage the services of a registered plumber to install this product.

In addition to the guide below it is essential that the written information overleaf is carefully read and understood.

Preparation for Installer

Flush the plumbing system before installing the bathroom product.

Once unpacked remove Trim Kit ready for installation.

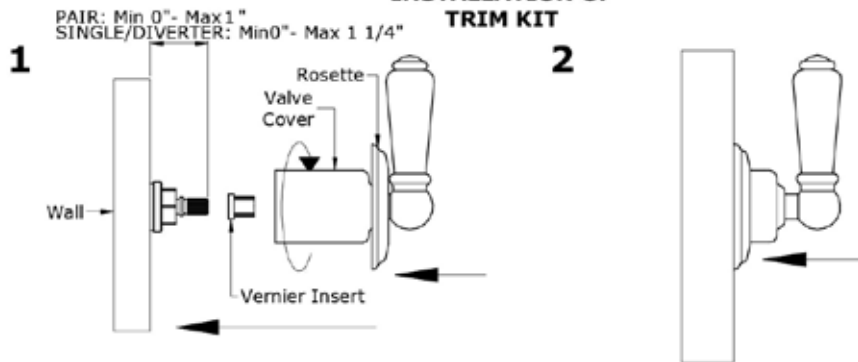


INSTALLATION INSTRUCTIONS

Special Note for Installing a 'Pair' of Lever 3/4" Wall Valves



INSTALLATION OF TRIM KIT



U.3233 5/8" Extension.

U.3243 1 1/4" Extension.

Required if Rough Kit is outside the above Min - Max figure.

If required screw Extension over Rough Kit before carrying out Trim Kit Installation.

Concealed Wall Valve

Ensure the handle is vertical when the valve is in the 'off' position.

If required the Vernier Insert can be removed and turned a few splines until correct alignment is achieved.

Three & Four Way Diverter

For ideal operation, place the handle vertically when the diverter is fully open on one port.

If required the Vernier Insert can be removed and turned a few splines until correct alignment is achieved.

OPERATION

Ceramic disc valves are fitted as standard to the Wall Valves. Flow from FULLY OFF to FULLY ON is achieved by rotating the handles a quarter turn.

BEFORE USE

- Carefully check the installation for leaks.
- If further building work is to be carried out in the vicinity, cover the fitting to avoid damaging the finish.
- Please ensure that the installation complies with the local plumbing codes.

INSTALLATION INSTRUCTIONS

CARE & MAINTENANCE

Occasional cleaning with warm soapy water, followed by a polish with a soft cloth is all that is required to keep the plated finish in good condition.

Do not use proprietary abrasive liquids, powders, or pads to clean the product. You will damage the plated finish and void your guarantee.

ROHL WARRANTY POLICY

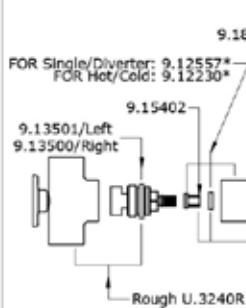
All products supplied by ROHL carry warranties against manufacturing defects.

Perrin & Rowe products carry a Limited Lifetime Warranty.

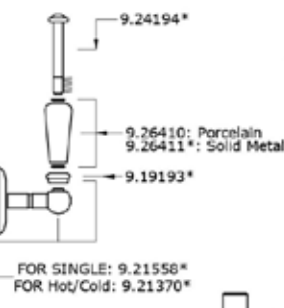
ROHL LLC will provide free of charge, as its options, replacement part(s) or product (or a comparable alternative product) to replace those which have proven defective in materials or workmanship.

For full ROHL LLC WARRANTY please contact ROHL or visit www.rohlhome.com

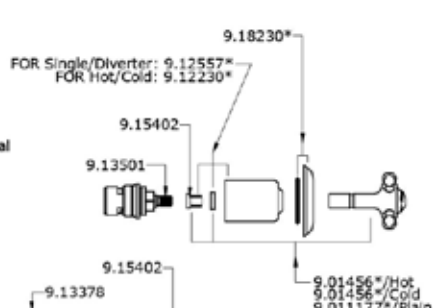
SPARES



LEVER TRIM



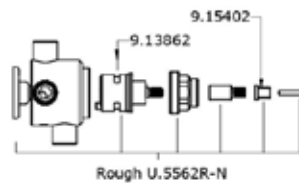
CROSSTOP TRIM



- 9.26410 = Porcelain Handle
- 9.26411* = Solid Metal Handle
- 9.011177* = Crosstop Handle

All options are available on each of the above products.

* Where indicated please specify color



SPARE PARTS & SERVICE

ROHL
Authentic Luxury for Kitchen and Bath™
3 Parker
Irvine
CA 92618
(714) 557-1933
www.rohlhome.com

Perrin & Rowe products are manufactured in the UK, using the latest technology and built to the highest quality standards.

We would like to thank you for purchasing a Perrin & Rowe product and take this opportunity to invite you to look at other luxury products by us. Please contact us to receive our latest product catalogue.