

NEWCASTLE 24"/30"/36"/42"/48"/60"

Installation Sheet

RONBOW®

Neo-Classic Collection

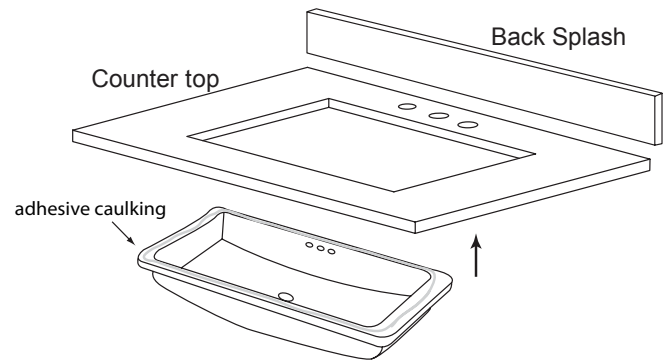
Model: 052724 052742
052730 052748
052736 052760

Note : For installing under counter sink with counter top

Step 1 : Apply adhesive caulking around the topside of rim near the edge, Carefully raise sink in place, align, and press firmly

See Figure 1.

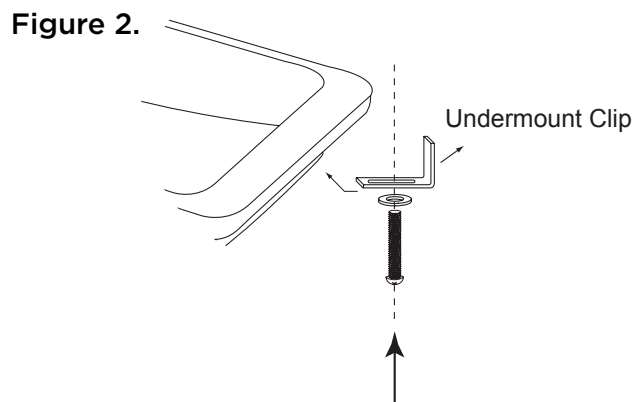
Figure 1.



Step 2 : Attach 4 undermount-clips to hold lavatory in place

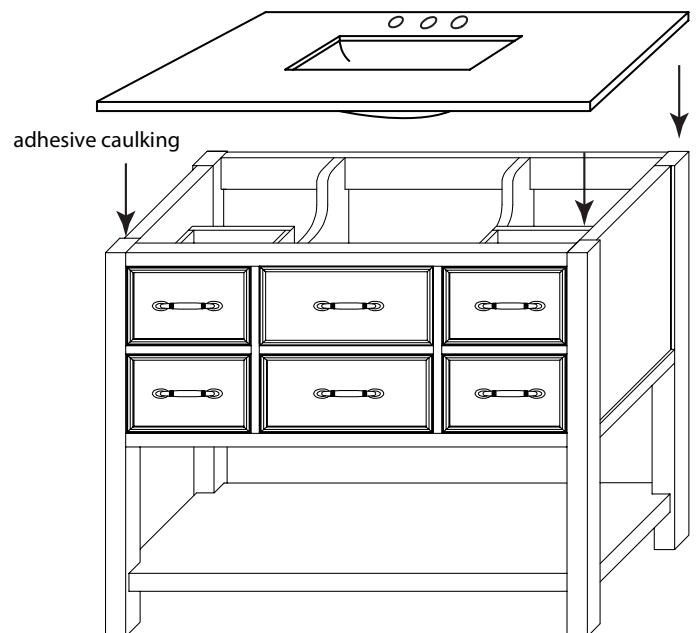
See Figure 2.

Figure 3.



Step 3 : Secure top & back splash to cabinet by using adhesive caulk

See Figure 3.



Model: 052724 052742
052730 052748
052736 052760

Note : For installing under counter sink with WideAppeal Top

Step 1 : DO NOT DISCARD WOODEN INSTALLATION BRACKET!

- Make sure wooden installation bracket is safely secure
- Install under counter sink by following specific sink installation

See Figure 1.

- Step 2 :**
- For best results, clean the mounting surfaces with a dry cleaning cloth
 - To prevent over flow of adhesive, use masking tape to tape off the edges of the cabinet and the counter top

Step 3 : Apply adhesive on wood bracket and mounting surfaces of the cabinet

See Figure 2.

Step 4 : Carefully place countertop on to the cabinet, align, and press firmly

See Figure 3.

Figure 1.

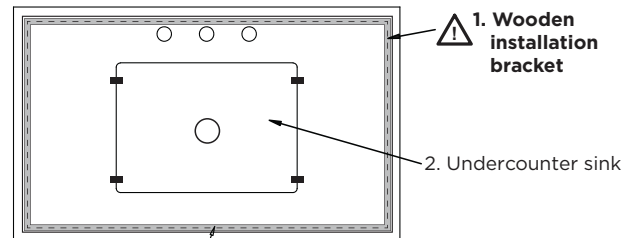


Figure 2.

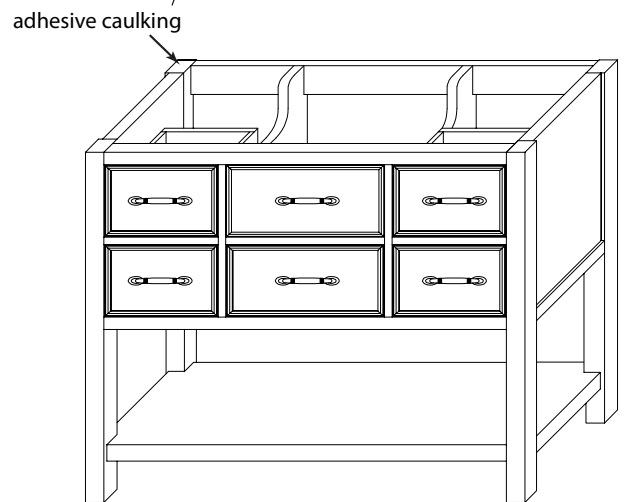


Figure 3.

