

**Model :** 034723-F08  
034723-H01

**Sink :** 200555  
218023

**Countertop :** 307023  
367023

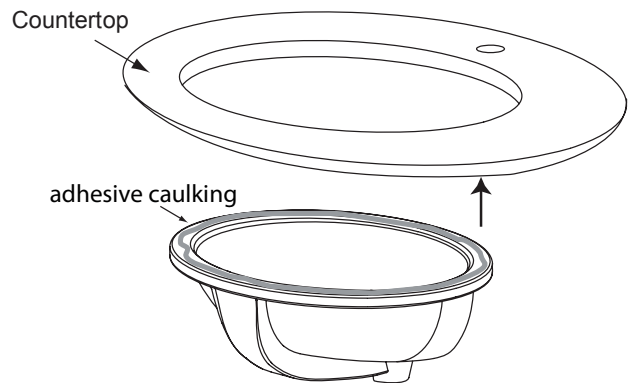
Contempo Collection

## For installing under counter sink and top

**Step 1 :** Apply adhesive caulking around the topside of rim near the edge, Carefully raise sink in place, align, and press firmly

See Figure 1.

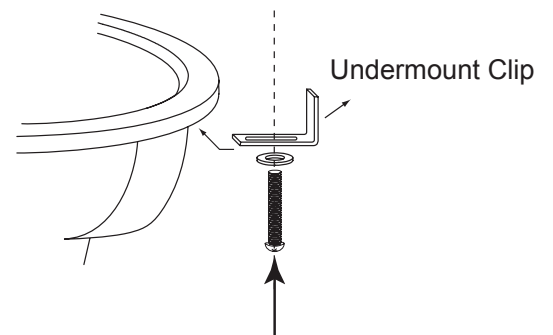
Figure 1.



**Step 2 :** Attach 4 undermount-clips to hold lavatory in place

See Figure 2.

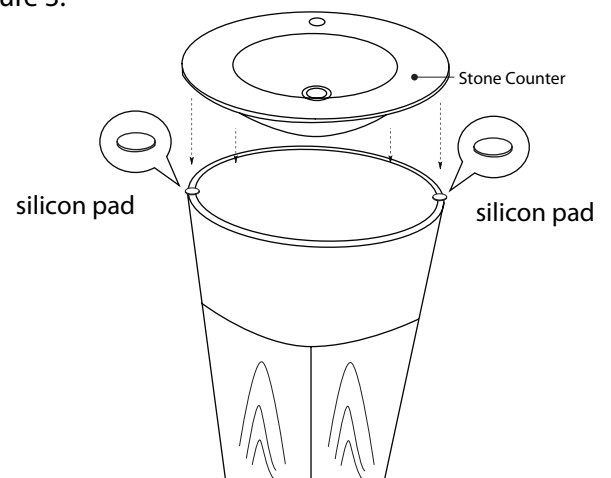
Figure 2.



**Step 3 :** Secure top & back splash to cabinet by using adhesive caulk

See Figure 3.

Figure 3.



**to be continued on next page**

**Model :** 034723-F08  
034723-H01

**Sink :** 200555  
218023

**Countertop :** 307023  
367023

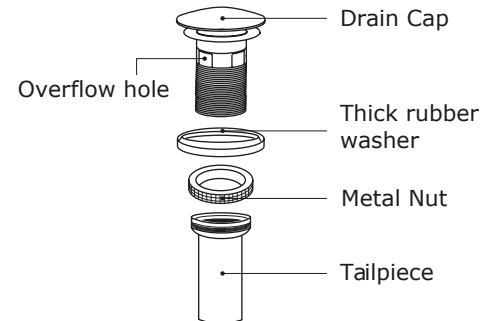
Contempo Collection

**Step 4 :** Place a generous portion of plumbers' putty under drain cap and insert whole drain body inside the bowl and through the countertop

(there maybe a small beveled rubber washer packaged with your drain, please discard this and use plumbers' putty instead)

See Figure 4.

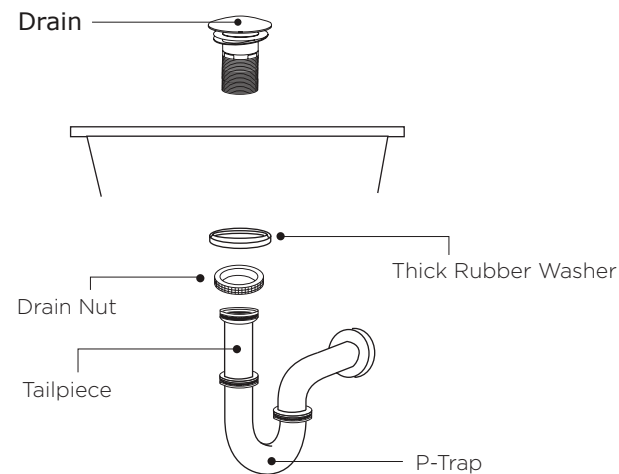
Figure 4.



**Step 5 :** From under the drain, insert the thick rubber washer and screw on and tighten the metal nut. Remove excess plumbers' putty.

See Figure 5 .

Figure 5.



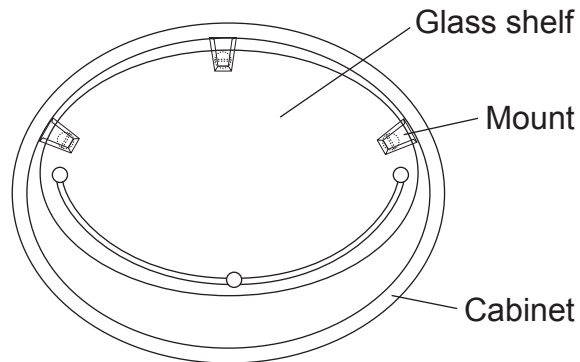
**Step 6 :** Attach p-trap to tailpiece.

**to be continued on next page**

**Model:** 034723-F08  
034723-H01

**Step 1 :** Unpack glass shelf from styrofoam packaging  
See Figure 1.

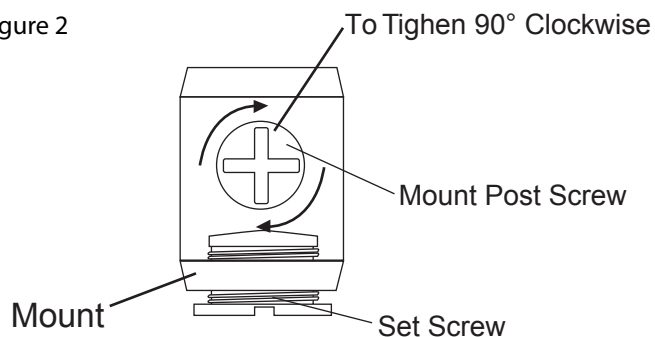
Figure 1



**Step 2 :** Unscrew flat head setscrews in glass shelf mounts (3) located inside cabinet

**Step 3 :** Turn Phillips head mount post screw clockwise 90° or til tight  
See Figure 2.

Figure 2



**Step 4 :** Insert glass shelf into mounts  
See Figure 3.

**Step 5 :** Clamp glass shelf into mounts by tightening setscrews  
Be careful not to overtighten.

Figure 3

