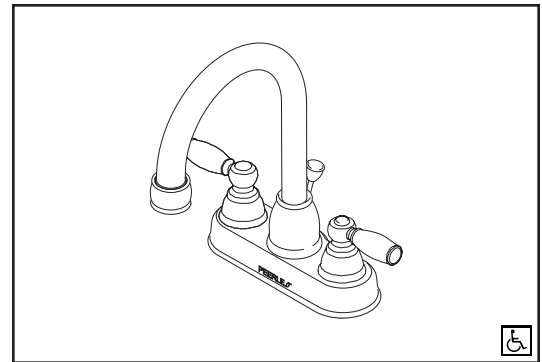




P299685LF-▲
P299685LF-▲-W
P299685LF-▲-ECO-W



LAVATORY FAUCET

■ Two Handle Centerset Deck Mount

STANDARD SPECIFICATIONS:

- Max flow rate: 1.50 GPM @ 60 PSI, 5.68 L/Min @ 414 kPa
- Max flow rate (ECO models only): 1.20 GPM @ 60 PSI, 4.54 L/Min @ 414 kPa
- Three hole mount
- Hot and cold stems are interchangeable
- 1/4 turn handle stops
- Control mechanism is a rotating cylinder type with stainless steel plate and 90° rotation, with replaceable non-metallic seats
- Models have drain with pop-up type fitting with plated flange and stopper
- RP76691 thick deck mounting kit adds 1 1/4" (32 mm) to maximum deck thickness

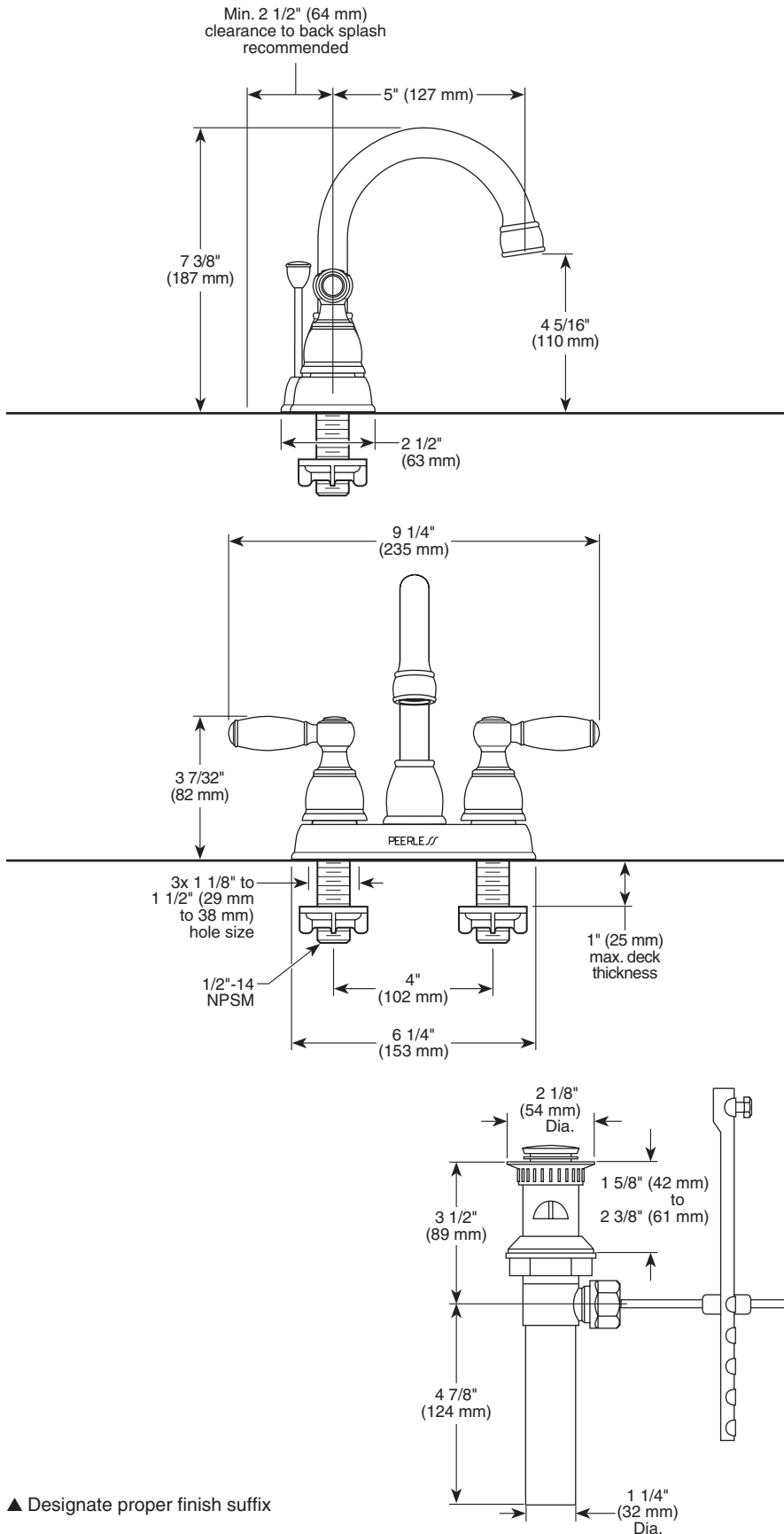
WARRANTY:

- Lifetime limited warranty on parts (other than electronic parts and batteries) and finishes: or, for commercial users, for 5 years from date of purchase.
- 5 year limited warranty on electronic parts (other than batteries); or, for commercial users, for 1 year from the date of purchase. No warranty is provided on batteries.



COMPLIES WITH:

- ASME A112.18.1 / CSA B125.1
- ASME A112.18.2 / CSA B125.2
- Indicates compliance to ICC/ANSI A117.1
- EPA WaterSense®
- Verified compliant with 0.25% weighted average Pb content regulations



▲ Designate proper finish suffix