

# RUBY 3260

59 3/4" x 31 1/2" x 22 3/8"



## PRODUCT DESCRIPTION:

5 days

Adjustable feet  
Contemporary style  
Gloss finish resistant to stains and discoloration  
Acrylic thermoformed and reinforced with fibergl  
Available with 2" lip only.  
TAO 3260 with contour skirt and Ultim-O overflow.

<b>WATER CAPACITY:</b> 65 gallons	<b>IMMERSION:</b> 17 1/2 po
<b>BOX SIZE:</b> 63" x 33 1/4" x 23"	
<b>NET WEIGHT:</b> 91 lbs	<b>GROSS WEIGHT:</b> 107 lbs

Includes drain and Ultim-O overflow assembly.

## GENERAL OPTIONS

**Ultim-O overflow and waste included:** Chrome

**Acrylic Colors:** White Standard  
Biscuit\* and Bone\* (Allow 3 weeks delivery) Standard  
**Others\*:** (Allow 6 to 8 weeks delivery)

**Nuance\*:** (Allow 3 weeks delivery)

**Drain Adapter D-111-ABS** 62.6010.103.00 or  
**D-111-PVC** 62.6010.104.00

<b>Chromotherapy 1 light</b> (Specify trim color)	17.99999.0000.00
<b>Chromotherapy 2 lights</b> (Specify trim color)	17.99999.0001.00
<b>Chromotherapy 4 lights</b> (Specify trim color)	17.99999.0002.00
<b>Handle</b> (max. 4) (submit drawing with order)	95.7077.106.XX
<b>Gel black neck pillow</b> (12" x 4 1/4 x 1 1/4")	18.6000.100.20

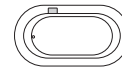
## MASS-AIR/ACTIV-AIR OPTIONS

**Mass-Air Jet finish:** White/Chrome Standard  
Biscuit/Chrome  
Bone/Chrome  
**Others:** Chrome/Chrome

<b>Activ-Air Jet finish:</b> Chrome, White, Biscuit, Bone	Standard
<b>Blower Hose extension 96"</b>	95.5013.168.00
<b>144" Extension cord</b>	95.3012.101.00

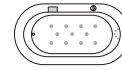
**\* Blower(s) must be installed in a remote location, extensions(s) provided.**

\*Customized products, non cancellable, non returnable.



**Bathtub only**

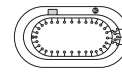
**RU3260**



**Mass-Air**

**RU3260M\***

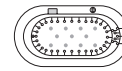
Included: 16 (11-5) injectors, Optima blower 750W (1 1/2 h.p.) with 300W heating element, 6' blower hose extension and backlit electronic control.



**Activ-Air**

**RU3260A\***

Included: 39 micro-jets, Optima blower 750W (1 1/2 h.p.) with 300W heating element, 6' blower hose extension and backlit electronic control.



**Mass-Air/Activ-Air Combo**

**RU3260CMA\***

Included: 39 Activ-Air micro-jets, 11 Mass-Air injectors, two Optima blowers 750W (1 1/2 h.p.) with 300W heating element, two 6' blower hose extensions and backlit electronic control.



**Intertek**

### COMPLIANCE ATTESTATION

Standard bathtubs  
CAN / CSA.B45.5  
Hydromassage Standards  
CAN / CSA.B45.10 / CSA.C22.2 / UL-1795



### Certification ECORESPONSIBLE

First manufacturer of bathroom products in North America to be certified ecoresponsible.



**Produits Neptune**

6835, Picard street, Saint-Hyacinthe (Quebec) J2S 1H3  
Phone: (450) 773-7058 - produitsneptune.com

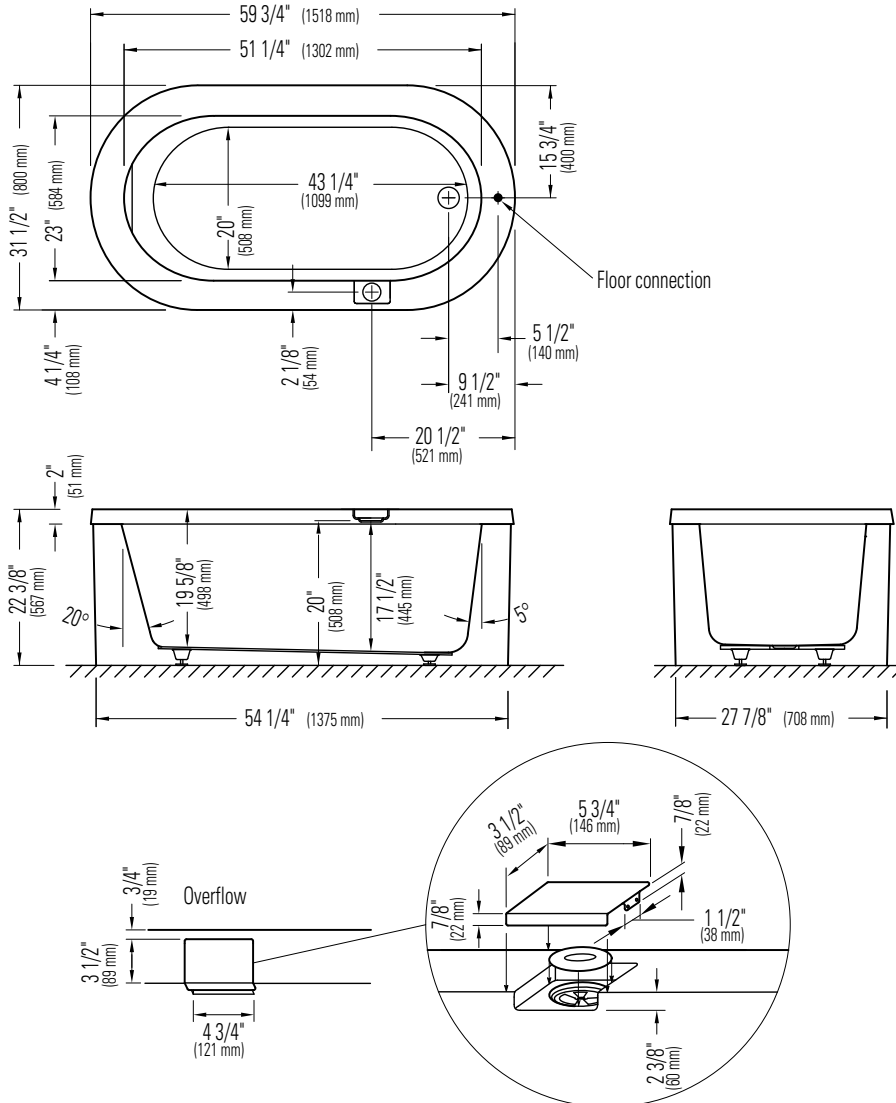
REV: 08-19



Produits Neptune

# RUBY 3260

Bathtub



\*All dimensions are approximate and subject to change without notice.  
Please refer to the installation guide before beginning the installation