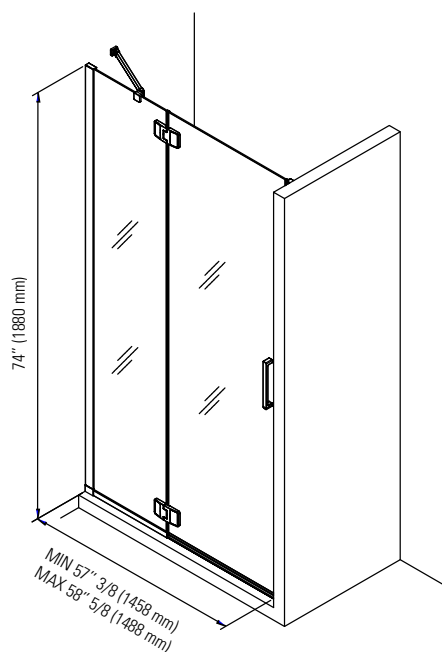


AZELIA 60 SHOWER DOOR



PRODUCT DESCRIPTION:

Contemporary style
 Front glass panels only
 6 mm glass (1/4")
 Door opening 26 1/8"
 Right or left opening
 Offered in chrome/clear

24-48 hrs

BOX SIZE:

77" x 34" x 3"

NET WEIGHT:

105 lbs

GROSS WEIGHT

105 lbs

* Produits Neptune applies a cutting-edge protective covering, which repels water and dirt for easy cleaning and increases the lifespan of your shower doors.



Certification ECORESPONSIBLE
 First manufacturer of bathroom products in North America to be certified ecoresponsible.



Produits Neptune

ENTREPRENEUR

6835, Picard street, Saint-Hyacinthe (Quebec) J2S 1H3
 Phone: (450) 773-7058 - Fax: (450) 773-5063
produitsneptune.com

04-2018