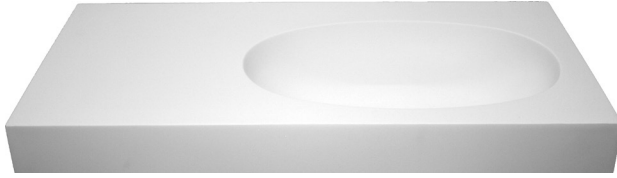
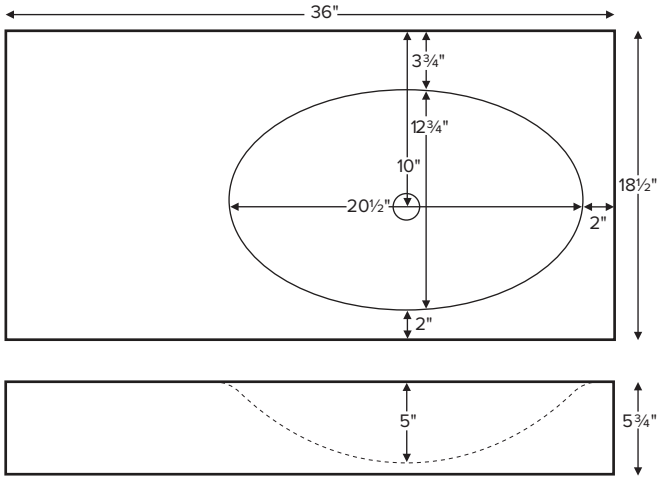


Akana 2



Shown with right hand bowl

MODEL MTCS-736D
36" x 18.5" x 5.75"
WALL-MOUNTED
SculptureStone®
42 lbs / 19 kg



***Must be specified with left or right side bowl**

1" x 12" carrier arms (CAWM2) recommended for installation



ORDERING AND INSTALLATION

- Single-bowl design; 1.5" drain opening.
- Sink comes without an overflow. Check local codes. Optional integrated overflow is available.
- Wall-mount sinks have an open back to accommodate carrier arms for installation. Mounting hardware is not included. See installation manual for more details.
- One-piece construction using Engineered SculptureStone® (ESS) material.
- This material is non-porous, stain-, mold- and mildew-resistant.
- Approximately 70% of the material is organic, including minerals mined from the earth, making it "Green".
- Five-Year Limited Residential Warranty.

PART #	PRICE
MTCS736D*	\$1,485

Options	Must be ordered at time of purchase
Standard Color (CWH) White	
Color Upgrade (SSBISNK) \$120 Biscuit	
Optional Gloss Finish Upcharge - For White or Biscuit (SSGLOSSNK2) \$530	Additional material colors available for projects only. Please call MTI.
Integrated Overflow	Front Bowl Installation (CIOF) \$250
Faucet Holes - comes standard without faucet holes	
1-3 Holes (CFH) \$85	
Quick Ship - reduces lead time - please call for availability (QSPRI3) \$255	
Countertop Options	
Backsplash (CBSM) \$385	Addition of a backsplash may limit space available for faucet valve.

Accessories
1" Carrier Arms set of 2 (CAWM2) \$425 For wall-mount installation

Drain Kits	
Finger Touch Drain Without Overflow Chrome (DKFGCN) \$185 Brushed Nickel (DKFGBNN) \$190	Finger Touch Drain With Overflow Chrome (DKFGC) \$185 Brushed Nickel (DKFGBN) \$180
Grid Drain Without Overflow Chrome (DKGDCN) \$115 Brushed Nickel (DKGDBNN) \$180	Grid Drain With Overflow Chrome (DKGDC) \$130 Brushed Nickel (DKGDBN) \$180
Fixed Drain Without Overflow Chrome (DKFDC) \$300	

• Before discarding packaging, check for accessories that may be inside.
 • All product measurements are ±1/2".
 • Specifications and configurations are subject to change without notice.
 • Measurements herein supersede all others published prior to publication date below.

