

### DESCRIPTION

- Brass construction with chrome plated finish
- 1/2" IPS connections
- Includes side spray with quick-connect system

### OPERATION

- Wrist blade style handles with hot and cold color indicators
- Vandal resistant torx head screws
- 1/4 turn to open (clockwise to close)


### FLOW

- Water usage is limited to these maximum flow rates as indicated by the corresponding product markings  
 $\circ$  1.5 gpm max (5.7L/min) at 60 psi

### CARTRIDGE

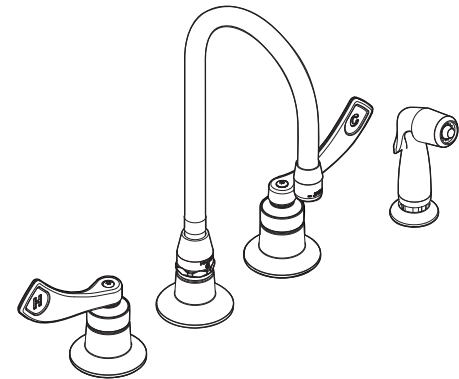
- Brass shell, ceramic disc cartridge
- Nonmetallic/nonferrouse and ceramic material

### STANDARDS

- Third party certified to meet ASME A112.18.1/CSA B125.1 and all applicable specifications referenced therein
- Certified to NSF 61/9 & 372
- Complies with California Proposition 65 and with the Federal Safe Drinking Water Act
- **ADA**  for lever handles

### WARRANTY

- Warranted for 5 years against material or manufacturing defects

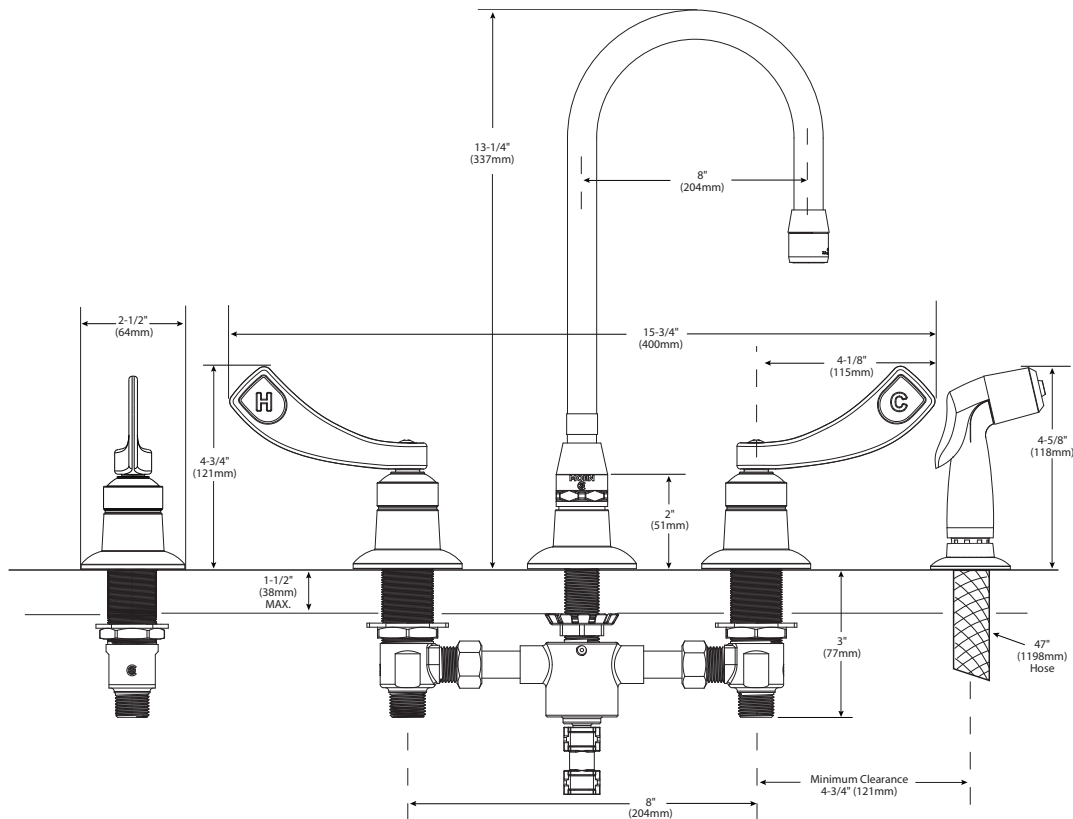


## Two-Handle Kitchen Faucet w/Side Spray

**Model: 8244**



**NOTE:** Designed to be installed through 4 holes – 1-9/32" min. dia.



### CRITICAL DIMENSIONS

(DO NOT SCALE)