

Features

- Includes valve trim, bath spout, showerarm with flange, and showerhead.
- Single lever handle controls both on/off activation and temperature setting.
- Includes 5-1/4" diverter bath spout with 1/2" copper slip fit connection.
- Coordinates with Forte faucets and accessories to complete your bathroom.
- Includes single function 2.5 gpm (9.5 l/min) showerhead.
- Showerhead features MasterClean™ sprayface for easy cleaning.
- Pressure-balancing diaphragm technology maintains outlet temperature within +/-3 degrees Fahrenheit during water pressure fluctuations.

Material

- Premium material construction with metal handle ensures reliability and durability.
- KOHLER finishes resist corrosion and tarnishing.

Installation

- Trim set requires valve to complete installation.

Required Products/Accessories

- K-304/K-P304 Series Rite-Temp® Valves
- or
- K-304/K-P304 Series Rite-Temp® Valves
- or
- K-304/K-P304 Series Rite-Temp® Valves
- or
- K-304/K-P304 Series Rite-Temp® Valves
- or
- K-304/K-P304 Series Rite-Temp® Valves
- or
- K-304/K-P304 Series Rite-Temp® Valves
- or
- K-304/K-P304 Series Rite-Temp® Valves
- or
- K-304/K-P304 Series Rite-Temp® Valves
- or
- K-304/K-P304 Series Rite-Temp® Valves
- or
- K-304/K-P304 Series Rite-Temp® Valves
- or
- K-304/K-P304 Series Rite-Temp® Valves
- or
- K-304/K-P304 Series Rite-Temp® Valves
- or
- K-304/K-P304 Series Rite-Temp® Valves



ADA **CSA B651**

Codes/Standards



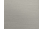
ASME A112.18.1/CSA B125.1
DOE - Energy Policy Act 1992
ADA
ICC/ANSI A117.1
CSA B651

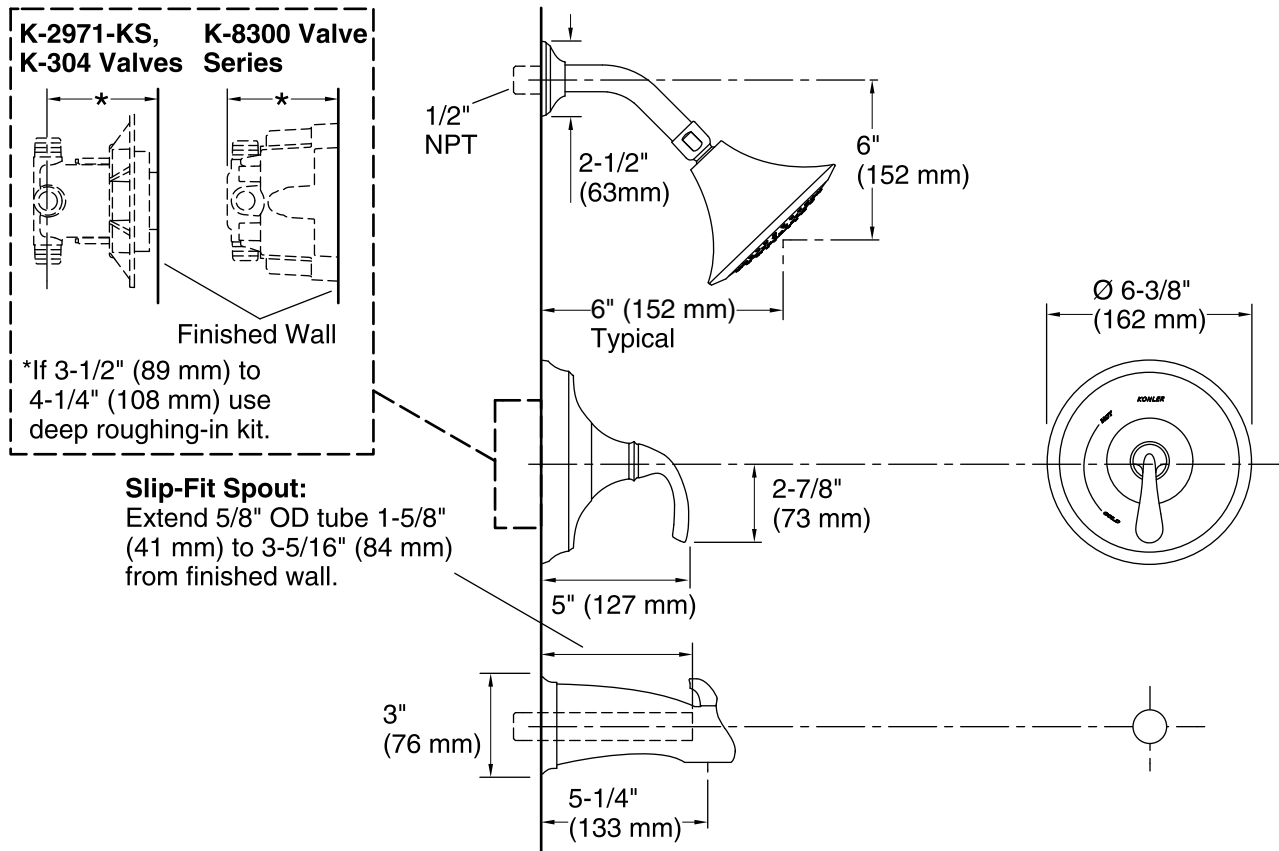
KOHLER® Faucet Lifetime Limited Warranty

See website for detailed warranty information.

Available Colors/Finishes

Color tiles intended for reference only.

Color	Code	Description
	CP	Polished Chrome
	G	Brushed Chrome
	BN	Vibrant® Brushed Nickel



Technical Information

All product dimensions are nominal.

Showerhead/Body Spray:

Rated maximum flow: 2.5 gal/min (9.5 l/min)

Pressure: 80 psi (5.5 bar)

Notes

Install the product according to the installation guide.

NOTICE: Risk of product damage. Long screws for installing trim can damage the K-2971-KS valve. Consult the trim installation guide to verify if the thin wall installation kit (88526) is needed. Install straight pipe or tube drop of 7" (178 mm) to 18" (457 mm) with single elbow between the valve and the wall-mount spout. Elbow must be a 90 degree drop ell that is secured to rigid framing.

ADA, CSA B651 compliant when installed to the specific requirements of these regulations.