



Kennon®
Neoroc® top-mount/undermount single bowl
kitchen sink
K-28003-1

Features

- 27" (686 mm) minimum base cabinet width for undermount or top-mount installation.
- Single bowl.
- 10" (254 mm) depth provides generous workspace.
- Includes one faucet hole and option for three additional holes for knockout with ball-peen hammer and punch.
- Includes K-80049 sink rack.
- Matte finish offers rich, dimensional color.

Material

- KOHLER Neoroc® composite is durable and built to withstand day-to-day cleaning tasks.
- Solid color throughout the sink.
- Heat-resistant up to 750°F.
- Scratch, stain, chip, and thermal-shock resistant.

Installation

- Cutout templates included.
- Top-mount or undermount.

Recommended Products/Accessories

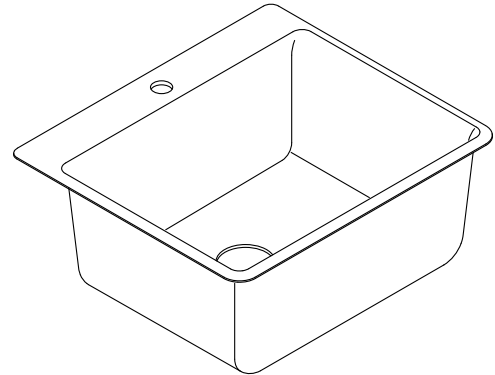
- K-8801 Sink drain and strainer with tailpiece
- K-9000 P-Trap
- K-8799 Sink drain and strainer basket
- K-23726 Drain treatment
- K-23730 Neoroc® cleaner

Optional Products/Accessories

- K-11352 Disposal Flange with Stopper

Included Components

- Additional Components:
K-80049



Codes/Standards





CSA B45.5/IAPMO Z124

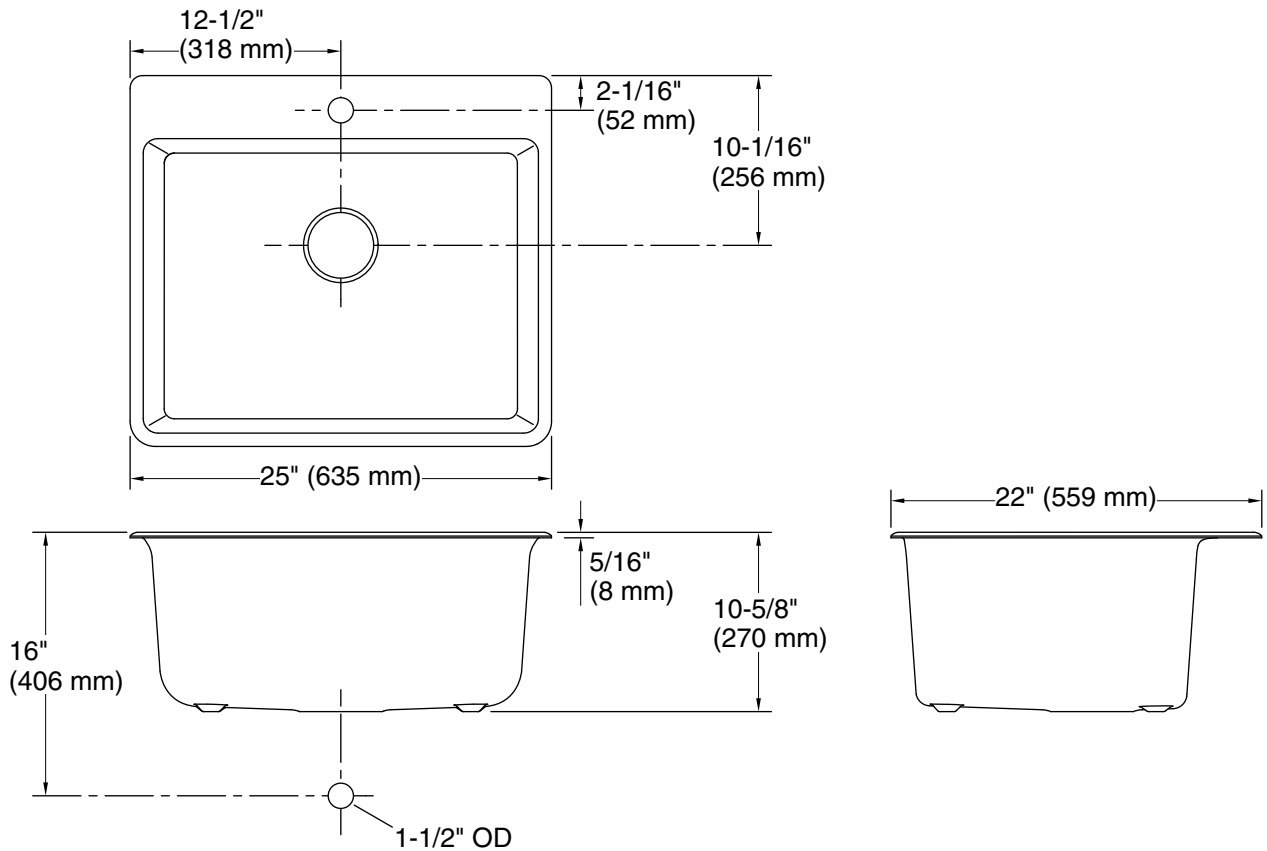
KOHLER® Neoroc® Sinks Lifetime Limited Warranty

See website for detailed warranty information.

Available Colors/Finishes

Color tiles intended for reference only.

Color	Code	Description
	CM7	Matte Graphite
	CM1	Matte Black
	CM2	Matte Brown
	CM3	Matte Taupe



Technical Information

All product dimensions are nominal.

Bowl configuration:	Single
Installation:	Top-mount, Undermount
Min. base cabinet width:	27" (686 mm)
Bowl area (Only):	Length: 16-15/16" (430 mm) Width: 22-1/8" (561 mm) Bowl depth: 10" (254 mm) Water depth: 10" (254 mm)
Number of deck holes:	1
Drain hole:	3-7/8" (98 mm)
Template:	1354775-7, required, included

Notes

Install this product according to the installation instructions.

NOTICE: Countertop manufacturer or cutter must use the cut-out template provided with the product, or a current one provided by Kohler Co. (call 1-800-4-KOHLER). Kohler Co. is not responsible for cutout errors when the incorrect cut-out template is used.