

Installation Instructions

Steam Adapter / Steam Head

Record your model number:

Noter le numéro de modèle:

Anote su número de modelo: _____

Français, page 18

Español, página 35

KOHLER®

Thank You for Choosing KOHLER

Need help? Contact our Customer Care Center.

- USA/Canada: 1-800-4KOHLER (1-800-456-4537) Mexico: 001-800-456-4537
- Service parts: [kohler.com/serviceparts](https://www.kohler.com/serviceparts)
- Care and cleaning: [kohler.com/clean](https://www.kohler.com/clean)
- Patents: [kohlercompany.com/patents](https://www.kohlercompany.com/patents)

Warranty

This product is covered under the KOHLER® **Electronic Faucets, Valves, and Controls Five-Year Limited Warranty**, found at [kohler.com/warranty](https://www.kohler.com/warranty). For a hardcopy of warranty terms, contact the Customer Care Center.

IMPORTANT SAFEGUARDS

When using electrical products, especially when children are present, basic safety precautions should always be followed, including the following:



DANGER: Risk of electric shock. Disconnect the electricity to the working area at the main breaker panel before performing these installation steps.



WARNING: Risk of personal injury. If you become uncomfortable while taking a steambath, you should turn off the unit. Cool off with the shower, open the door, or exit the unit.



WARNING: Risk of allergic reaction. Before adding any oils, aromatic therapies, or skin care products to the aromatherapy well, verify that they will not cause an allergic reaction to the user.



WARNING: Risk of personal injury. This steambath may not be suitable for use if you are pregnant, have a heart condition, have high blood pressure, have circulatory problems, are under the influence of alcohol, are taking drugs or are under the care of a physician. A steambath can put undue stress on the body, as does any hot bath, shower, or sauna.



WARNING: Risk of personal injury. DO NOT consume alcoholic beverages or take medications/drugs before or when using the steambath. Alcohol and drugs affect mental judgment, greatly increase the risk of hyperthermia, and inhibit bodily functions such as heartbeat and respiration, resulting in potentially dangerous effects.



WARNING: Risk of injury to children. Do not allow children to use this unit unless they are closely supervised at all times. The steam generator is not designed to be used by children.



WARNING: Risk of scalding or burning. Stay away from the steam head during operation. The steam head is hot during operation.



WARNING: Risk of personal injury or property damage. Avoid coming in contact with the water tank and/or steam discharge line while the steam generator is operating or shortly after shutdown. Wear eye protection and protective clothing when servicing the steam generator. The steam generator operates at high temperatures.

Use this product only for its intended use as described in this manual. Only use attachments recommended by Kohler Co.

Follow all local plumbing, building, and electrical codes.

Operation with a System Controller

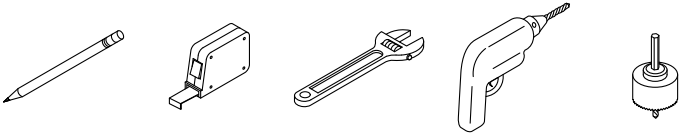
To connect the steam adapter to a digital showering system, a system controller is required.

A 25' (7.6 m) data cable is provided to connect the steam adapter to the system controller. If the steam generator is not within 25' (7.6 m) of the system controller, add an extension cable and coupler.

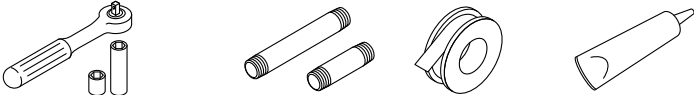
Before Operating the System Controller for the First Time:

Download and install the latest software for connected components. This may take an hour or more to complete based on system configuration and internet connection speed. **Do not disconnect the power from any component during software download and installation.**

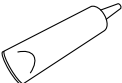
Tools and Materials



7/16", 2-1/2"

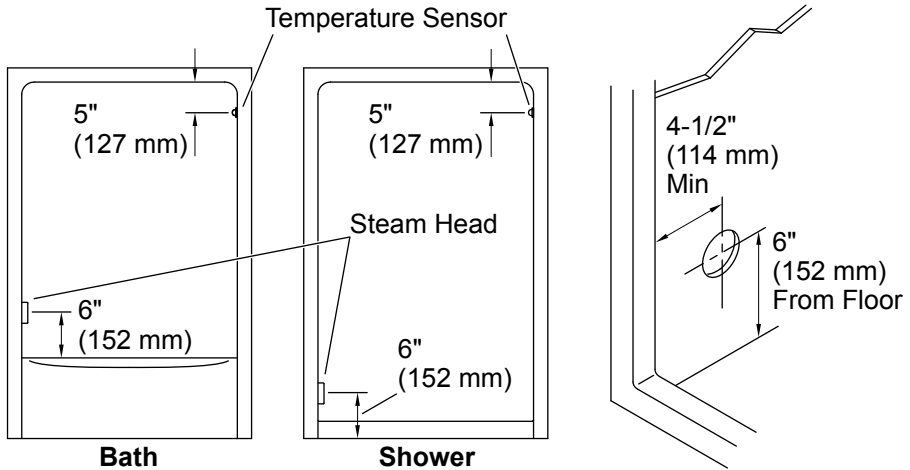


Socket Wrench with 1" Socket Pipe Nipples Sealant Tape Dielectric Grease



100% Silicone Sealant

Before You Begin



WARNING: Risk of personal injury. A digital control must be located within the steam enclosure to allow temperature and steam control.



CAUTION: Risk of scalding. Do not locate the steam head near a shower seat. The steam head is hot during operation and could scald the user if touched.

NOTICE: Do not locate the digital control on the same wall as the steam head(s).

NOTICE: Locate the temperature sensor on the wall opposite the steam head(s).

NOTE: For dual steam heads, install on different walls to improve steam distribution. If installed on the same wall, locate the steam heads at least 12-1/2" (318 mm) apart.

If possible, install the steam generator(s) and the system controller before beginning this installation.

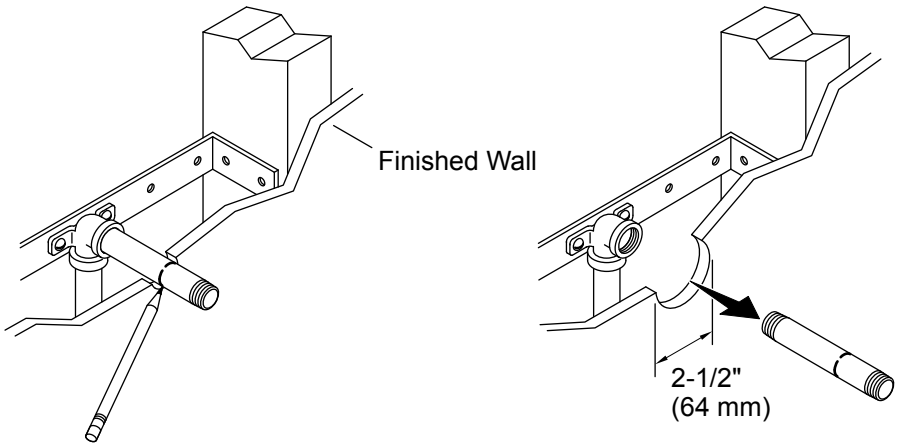
Locate the steam head 6" (152 mm) above the floor or bath rim and 4-1/2" (114 mm) from the inside of the threshold.

Locate the steam head(s) away from any shower seating.

Locate the temperature sensor 5" (127 mm) down from the ceiling, on the wall opposite the steam head.

Provide adequate clearance between the steam lines and any surrounding surfaces, or apply appropriate insulation to the steam lines.

1. Prepare the Site

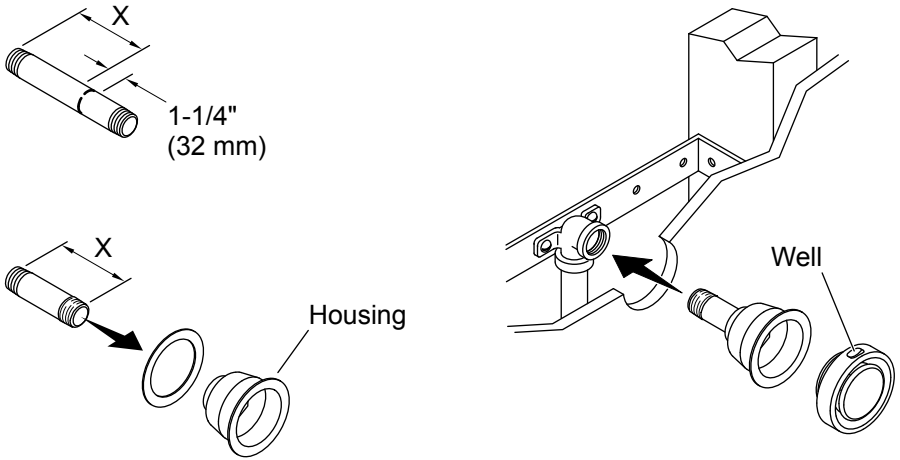


NOTE: This section continues the installation steps from the steam generator installation instructions. Refer to the steam generator installation instructions for more information, as needed.

NOTE: For dual steam heads, install on different walls to improve steam distribution. If installed on the same wall, locate the steam heads at least 12-1/2" (318 mm) apart.

- Install the finished wall.
- Cut a 2-1/2" (64 mm) hole centered around the temporary nipple.
- Mark the temporary pipe nipple at the finished wall surface.
- Remove and retain the temporary pipe nipple.

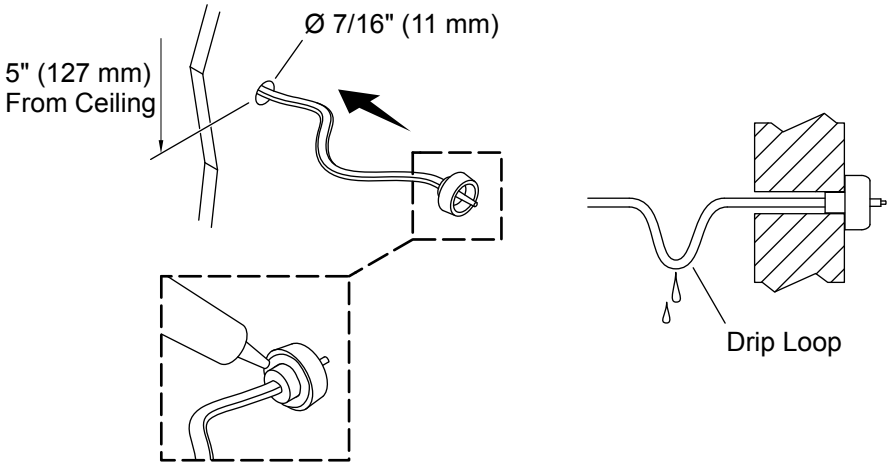
2. Install the Steam Head(s)



NOTE: Do not obstruct the steam head with shut-off valves, plugs, or caps.

- Subtract 1-1/4" (32 mm) from the marked length on the temporary nipple.
- Choose a nipple length within 1/8" (3 mm) of dimension "X."
- Apply thread sealant to one end of the nipple and thread into the housing until hand-tight.
- Apply thread sealant to the other end of the nipple.
- Position the gasket onto the housing.
- Use a 1" socket to thread the housing into the elbow.
- Verify that the gasket is compressed to achieve a proper seal around the housing.
- If needed, use an appropriate sealant to achieve a watertight seal.
- Press the steam head into the housing with the well positioned at the top.

3. Install the Temperature Sensor



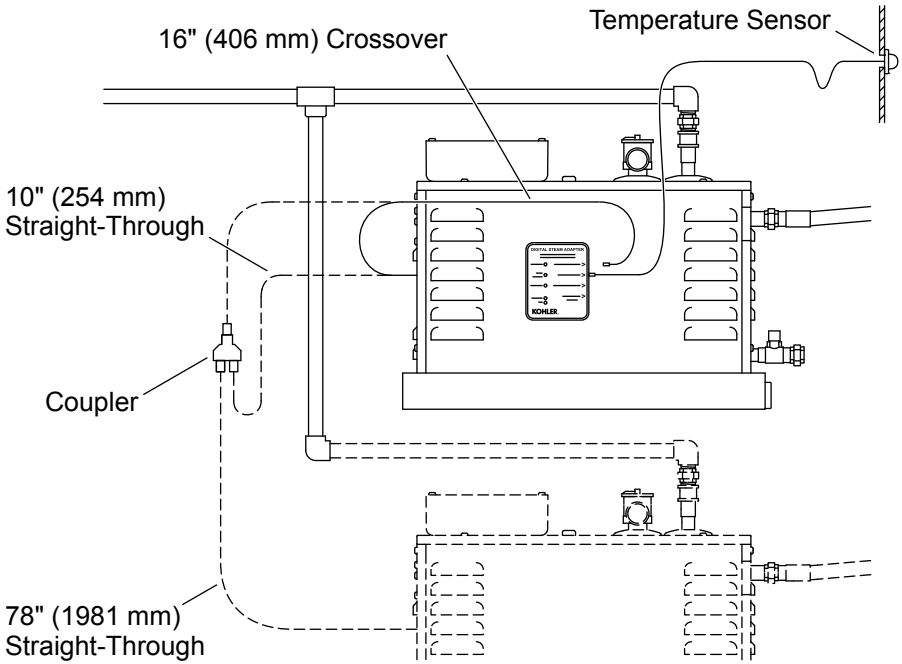
CAUTION: Risk of product damage. Do not pinch, nail, wedge, or use undue force when handling wires and cables. Any damage may result in product failure.

IMPORTANT! Make a drip loop in the temperature sensor wire to prevent water damage to the steam generator.

NOTICE: The temperature sensor must be located on the wall opposite the steam head(s).

- Locate the temperature sensor 5" (127 mm) down from the ceiling, on the wall opposite the steam head.
- Drill a 7/16" (11 mm) hole at the selected location.
- Insert the temperature sensor wire through the drilled hole.
- Route the wire behind the wall to the steam generator location.
- Apply a small bead of 100% silicone sealant to the back of the sensor housing. Do not allow sealant to contact the sensor probe.
- Press the sensor firmly onto the wall.
- Temporarily secure the sensor in place with tape.
- Allow the sealant to cure before use.

4. Install the Steam Adapter



CAUTION: Risk of product damage. Do not pinch, nail, wedge, or use undue force when handling wires and cables. Any damage may result in product failure.

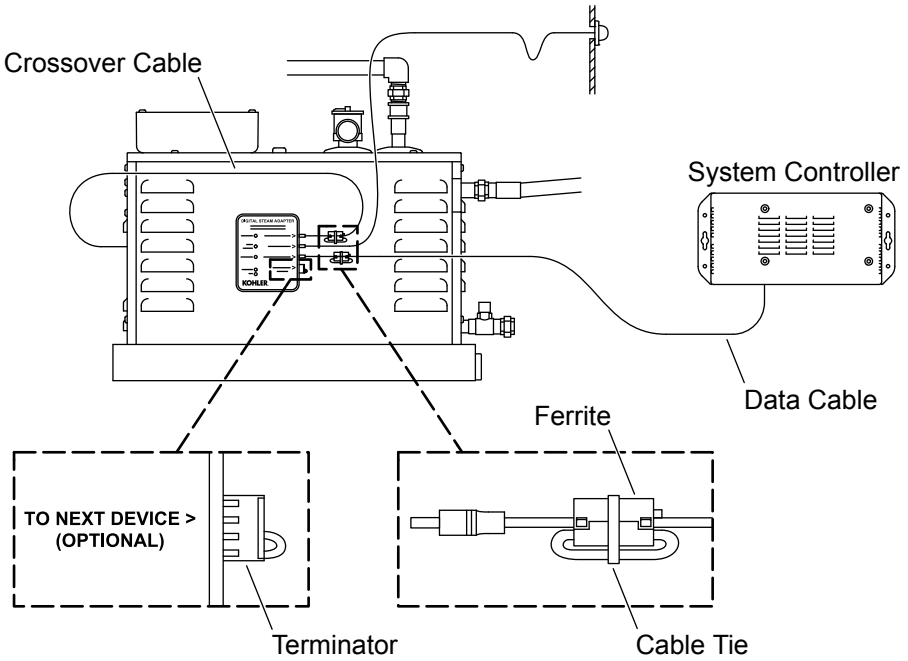
- Remove the adhesive backing from the new steam adapter.
- Press the steam adapter firmly to the side of the steam generator.

NOTE: Apply dielectric grease to all connectors.

- Single Steam Head:** Connect the 16" (406 mm) silver crossover cable to the steam generator.
- Dual Steam Heads:** Connect the 16" (406 mm) silver crossover cable to the single port on the coupler.

- **Dual Steam Heads:** Connect the 10" (254 mm) and the 78" (1981 mm) straight-through cables to the coupler. Attach the other end of each cable to a steam generator.
- Connect the temperature sensor wire to the corresponding port on the steam adapter.

5. Complete the Installation



NOTE: The terminator should be installed if no additional components will be added to this device.

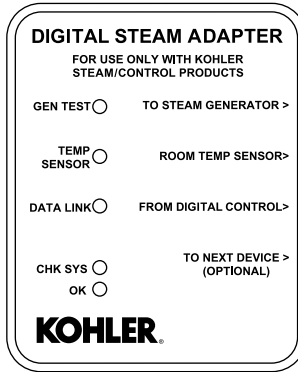
- Position a ferrite toward the adapter end of the steam generator crossover cable.
- Loop the cable through the ferrite and snap the ferrite closed.
- Use a cable tie to gently secure the ferrite in place.
- Repeat the ferrite installation steps for the data cable.
- Apply dielectric grease to the connector on the ferrite end of the cables and connect to the correct ports on the steam adapter.
- Route the data cable to the system controller installation location.
- If applicable, install the terminator to the steam adapter.
- If not already installed, install the system controller according to the instructions packed with the product.

- Apply dielectric grease to the data cable connector and connect to one of the component ports on the system controller.
- Turn ON the water supply.
- Turn ON the electrical power to the steam generator.
- For information on system setup and operation, refer to the guide on the system controller product page at kohler.com.

Before Operating the System Controller for the First Time:

Download and install the latest software for connected components. This may take an hour or more to complete based on system configuration and internet connection speed. **Do not disconnect the power from any component during software download and installation.**

Operation



Status LED Lights

- “GEN TEST” = steam generator connection/function.
- “TEMP SENSOR” = temperature sensor connection/function.
- “DATA LINK” = data cable connection/function.
- Normal Function:** Each LED continuously blinks green every second.
- Improper Function:** One or more LEDs are solid green, solid red, flashing red, or not illuminated. Refer to the “Troubleshooting” section for more information.

Power Clean Function



WARNING: Risk of personal injury. Steam room temperature will be extremely high when the power clean function is activated. Do not enter the steam room while the power clean function is in progress.

NOTICE: Users will be automatically reminded to use power clean after 600 minutes of steam generator use. The steam generator may be run three more times before the power clean function must be run. Failure to initiate power clean after the third reminder will result in the system locking. Power clean must be run to resume steam operation.

NOTE: When the power clean function is activated, water will discharge from the steam head.

Troubleshooting

NOTE: For system controller troubleshooting, refer to the guide found on the system controller product page at kohler.com.

This troubleshooting guide is for general aid only. For service and installation issues or concerns, call 1-800-4KOHLER.

Symptoms	Probable Cause	Recommended Action
1. Lights on the adapter are OFF.	<p>A. Inadequate power supplied to the steam generator (green status light on the steam generator is OFF).</p> <p>B. The adapter is not receiving power from the steam generator (green status light on the steam generator is ON).</p> <p>C. The adapter is not functioning (green status light on the steam generator is ON).</p>	<p>A. Provide proper power to the steam generator. If necessary, use the provided test kit to verify that the steam generator is working properly.</p> <p>B. Use the provided test kit and instructions to identify the source of the problem.</p> <p>C. Call the Customer Care Center using the information provided in the front of this manual.</p>
2. "GEN TEST" light is blinking red.	<p>A. An error has occurred with the steam generator.</p>	<p>A. Check the error code on the digital control. Refer to the guide found on the digital control product page at kohler.com.</p>
3. "TEMP SENSOR" light is blinking red.	<p>A. The temperature sensor is not connected.</p> <p>B. The temperature sensor is not functioning.</p>	<p>A. Connect the temperature sensor.</p> <p>B. Call the Customer Care Center using the information provided in the front of this manual.</p>

Symptoms	Probable Cause	Recommended Action
<p>4. "DATA LINK" light is blinking red.</p>	<p>A. A connection to the controller has not yet been established.</p> <p>B. A connection to the controller cannot be established.</p> <p>C. An error has occurred.</p>	<p>A. Wait for the connection to be made.</p> <p>B. Remove and reattach the cable that connects the adapter to the controller. Inspect the cable for damage and replace if necessary.</p> <p>C1. Check the error code on the digital control. Refer to the guide found on the digital control product page at kohler.com.</p> <p>C2. Reset power to the steam generator and the system controller.</p> <p>C3. Perform a system reset on the digital control.</p>
<p>5. Steam menu disappears after requesting steam.</p>	<p>A. The cables between the steam generator(s) and the adapter are installed incorrectly.</p>	<p>A1. Reinstall the cable(s) between the steam generator(s) and the adapter according to the instructions in this guide.</p> <p>A2. Call the Customer Care Center using the information provided in the front of this manual.</p>
<p>6. Display does not show steam function.</p>	<p>A. Inadequate power supplied to the steam generator (green status light on the steam generator is OFF).</p> <p>B. The adapter is not functioning (green status light on the steam generator is ON).</p>	<p>A1. Provide proper power to the steam generator. If necessary, use the provided test kit to verify that the steam generator is working properly.</p> <p>A2. Call the Customer Care Center using the information provided in the front of this manual.</p> <p>B1. Reinstall the cable(s) between the steam generator(s) and the adapter according to the instructions in this guide.</p> <p>B2. Call the Customer Care Center using the information provided in the front of this manual.</p>

Symptoms	Probable Cause	Recommended Action
<p>7. Water is discharged from the steam head.</p>	<p>A. Normal operation.</p> <p>B. Water supply lines are connected incorrectly.</p> <p>C. Internal steam generator components are not functioning properly.</p>	<p>A. A small amount of water is normally discharged from the steam head just before, during, and after steam generator use, as well as when the power clean function is activated.</p> <p>B. Review the steam generator installation guide and reinstall the lines at the proper locations.</p> <p>C1. Turn off water supply to the steam generator. If possible, drain the tank. Slowly open the water supply valve to refill the steam generator.</p> <p>C2. Call the Customer Care Center using the information provided in the front of this manual.</p>

Symptoms	Probable Cause	Recommended Action
<p>8. No steam after 5 minutes of activating the steam generator.</p>	<ul style="list-style-type: none"> A. An error has occurred. B. The temperature setpoint was reached. C. Inadequate power supplied to the steam generator (green status light on the steam generator is OFF). D. The cables between the steam generator(s) and the adapter are installed incorrectly. E. Steam line or steam head is blocked. F. Steam generator is not functioning. 	<ul style="list-style-type: none"> A. Check the error code on the digital control. Refer to the guide found on the digital control product page at kohler.com. B. Verify that the temperature setpoint is greater than the current steam room temperature. Increase the temperature setpoint if desired. C. Provide proper power to the steam generator. If necessary, use the provided test kit to verify that the steam generator is working properly. D. Reinstall the cable(s) between the steam generator(s) and the adapter according to the instructions in this guide. E. Check the steam line and steam head for blockage. Repair as necessary. F1. Use the provided test kit and instructions to identify the source of the problem. F2. Call the Customer Care Center using the information provided in the front of this manual.
<p>9. Steam stopped.</p>	<ul style="list-style-type: none"> A. An error has occurred. B. The session time limit was met or the temperature setpoint was reached. 	<ul style="list-style-type: none"> A. Check the error code on the digital control. Refer to the guide found on the digital control product page at kohler.com. B. Restart the session timer or increase the temperature setpoint.

Instructions d'installation

Adaptateur de vapeur / Tête de diffusion de vapeur

Merci d'avoir choisi KOHLER

Besoin d'aide? Appeler notre centre de services à la clientèle.

- USA/Canada : 1-800-4KOHLER (1-800-456-4537) Mexique : 001-800-456-4537
- Pièces d'entretien : kohler.com/serviceparts
- Entretien et nettoyage : kohler.com/clean
- Brevets : kohlercompany.com/patents

Garantie

Ce produit est couvert sous la **garantie limitée de cinq ans des commandes, vannes et robinets électroniques KOHLER®**, fournie sur le site kohler.com/warranty. Pour obtenir une copie imprimée des termes de la garantie, s'adresser au centre de services à la clientèle.

MESURES DE SÉCURITÉ IMPORTANTES







Lors de l'utilisation de produits électriques, et en particulier en présence d'enfants, toujours observer les mesures de sécurité fondamentales, dont les suivantes :



DANGER : Risque de choc électrique. Déconnecter l'alimentation électrique pour la zone de travail au niveau du disjoncteur principal avant d'exécuter ces étapes d'installation.



AVERTISSEMENT : Risque de blessures. Si l'on commence à ressentir une gêne pendant que l'on prend un bain à vapeur, éteindre le dispositif. Se refroidir avec la douche, ouvrir la porte, ou sortir du dispositif.

-  **AVERTISSEMENT : Risque de réaction allergique.** Avant d'ajouter des huiles, des traitements aromathérapeutiques ou des produits de soins de la peau au puits d'aromathérapie, vérifier qu'ils ne causeront pas de réaction allergique pour l'utilisateur.
-  **AVERTISSEMENT : Risque de blessures.** Ce bain à vapeur peut ne pas être approprié pour être utilisé par les femmes enceintes, les personnes qui ont des problèmes cardiaques, une hypertension artérielle ou des problèmes de circulation, ou des personnes qui sont sous l'influence d'alcool, qui prennent des drogues, ou qui sont suivies par un médecin. Un bain à vapeur peut soumettre le corps à un stress exagéré, comme le font les bains chauds, les douches, ou les saunas.
-  **AVERTISSEMENT : Risque de blessures. NE PAS consommer de boissons alcoolisées et ne pas prendre de médicaments ou de drogues avant ou pendant l'utilisation du bain à vapeur.** L'alcool et les drogues affectent le jugement mental, augmentent le risque d'hyperthermie de manière significative, et inhibent les fonctions corporelles, comme le battement du cœur et la respiration, ce qui se traduit par des effets qui pourraient être dangereux.
-  **AVERTISSEMENT : Risque de blessures pour les enfants.** Ne pas permettre aux enfants d'utiliser ce dispositif sans surveillance diligente en tout temps. Le générateur de vapeur n'est pas destiné à être utilisé par des enfants.
-  **AVERTISSEMENT : Risque d'ébouillantage ou de brûlures.** Ne pas s'approcher de la tête de diffusion de vapeur pendant son fonctionnement. La tête de diffusion de vapeur est chaude lorsqu'elle fonctionne.
-  **AVERTISSEMENT : Risque de blessures ou de dommages matériels.** Éviter d'entrer en contact avec le réservoir d'eau et/ou la conduite d'évacuation de vapeur pendant que le générateur de vapeur fonctionne ou immédiatement après son arrêt. Porter des lunettes de protection des yeux et des vêtements de protection lors de l'entretien du générateur de vapeur. Le générateur de vapeur fonctionne à des températures élevées.

Utiliser ce produit uniquement pour l'usage auquel il est destiné, comme décrit dans ce manuel. Uniquement utiliser des accessoires recommandés par Kohler Co.

Respecter tous les codes locaux en ce qui concerne l'électricité, la plomberie et le bâtiment.

Fonctionnement avec un module de commande du système

Un module de commande du système est requis pour connecter l'adaptateur de vapeur au système de douche numérique.

Un câble de données de 25 pi (7,6 m) est fourni pour connecter l'adaptateur de vapeur au module de commande du système. Si le générateur de vapeur n'est pas compris dans un rayon de 25 pi (7,6 m) du module de commande du système, ajouter un câble de rallonge et un coupleur.

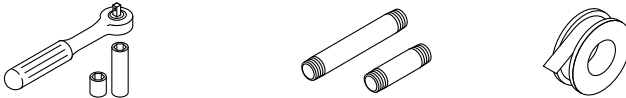
Avant de faire fonctionner le module de commande du système la première fois :

Télécharger et installer le logiciel le plus récent pour les composants connectés. Une heure ou plus peuvent être nécessaires en fonction de la configuration du système et de la vitesse de connexion Internet. **Ne pas déconnecter l'alimentation des composants pendant le téléchargement et l'installation du logiciel.**

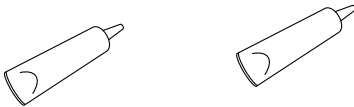
Outils et matériel



7/16 po, 2-1/2 po

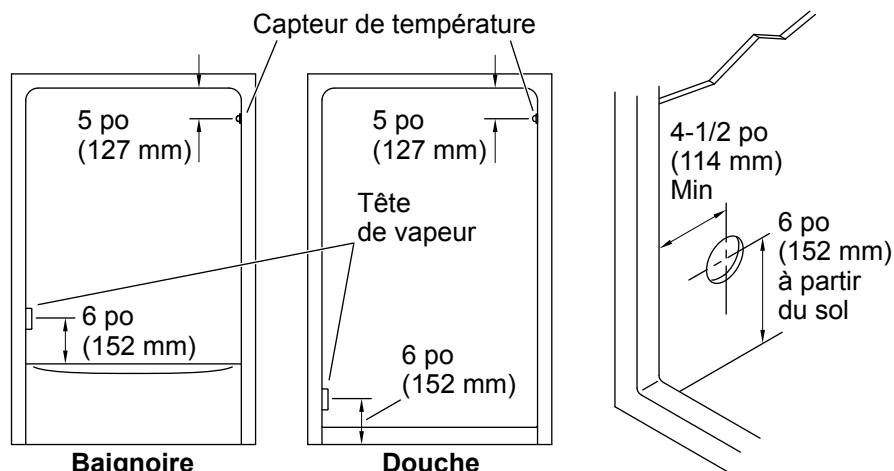


Clé à douille avec douille de 1 po Mamelons de tuyau Ruban d'étanchéité



Graisse diélectrique Mastic d'étanchéité à la silicone à 100 %

Avant de commencer



AVERTISSEMENT : Risque de blessures. Une commande numérique doit être placée dans l'enceinte de vapeur pour permettre un contrôle de la température et de la vapeur.



ATTENTION : Risque de brûlures. Ne pas positionner la tête de diffusion de vapeur à proximité d'un siège ou d'un banc. La tête de diffusion de vapeur est chaude pendant le fonctionnement et pourrait ébouillanter l'utilisateur si elle est touchée.

AVIS : Ne pas placer la commande numérique sur le même mur que celui de la ou des têtes de diffusion de vapeur.

AVIS : Le capteur de température doit être placé sur le mur opposé de celui de la ou des têtes de diffusion de vapeur.

REMARQUE : Dans le cas de têtes de diffusion de vapeur doubles, installer celles-ci sur des murs différents pour améliorer la distribution de vapeur. Si elles sont installées sur le même mur, placer les têtes de diffusion de vapeur à une distance d'au moins 12-1/2 po (318 mm) entre elles.

Si possible, installer le(s) générateur(s) de vapeur et le module de commande du système avant de commencer cette installation.

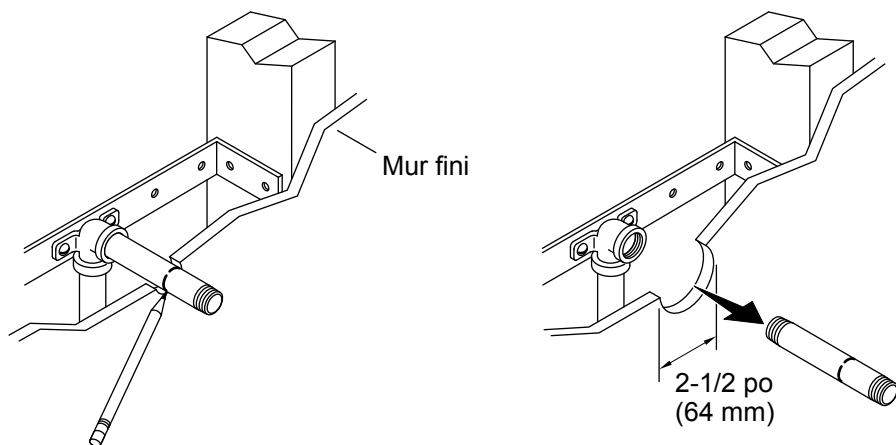
Positionner la tête de diffusion de vapeur à 6 po (152 mm) au-dessus du plancher ou du rebord de la baignoire et à 4-1/2 po (114 mm) de l'intérieur du seuil.

Positionner la ou les têtes de diffusion de vapeur loin d'une zone assise de douche.

Positionner le capteur de température à 5 po (127 mm) en dessous du plafond, sur le côté opposé de la tête de diffusion de vapeur.

Fournir un dégagement adéquat entre les conduites de vapeur et toutes les surfaces alentour, ou appliquer du matériau isolant approprié autour des conduites de vapeur.

1. Préparer le site

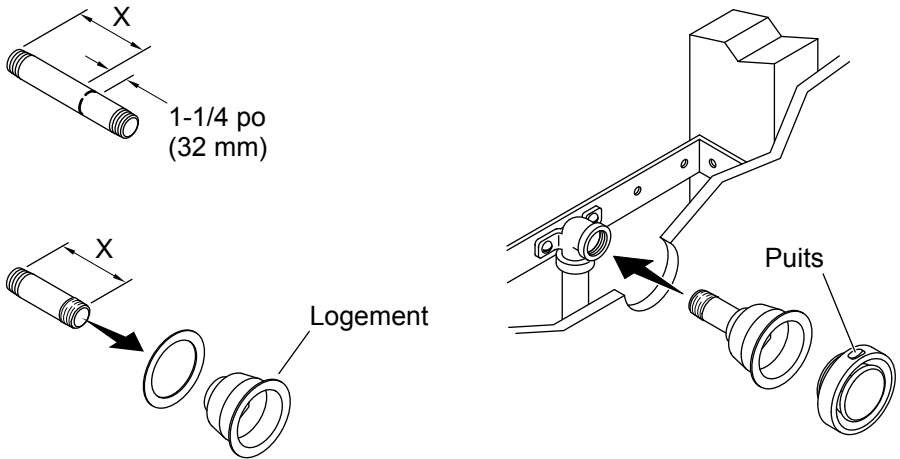


REMARQUE : Cette section continue les étapes d'installation provenant des instructions d'installation du générateur de vapeur. Se reporter aux instructions d'installation du générateur de vapeur pour obtenir de l'information supplémentaire, le cas échéant.

REMARQUE : Dans le cas de têtes de diffusion de vapeur doubles, installer celles-ci sur des murs différents pour améliorer la distribution de vapeur. Si elles sont installées sur le même mur, placer les têtes de diffusion de vapeur à une distance d'au moins 12-1/2 po (318 mm) de l'une l'autre.

- Installer le mur fini.
- Découper un trou de 2-1/2 po (64 mm) centré autour du mamelon temporaire.
- Marquer le mamelon de tuyau temporaire et la surface du mur fini.
- Retirer et conserver le mamelon de tuyau temporaire.

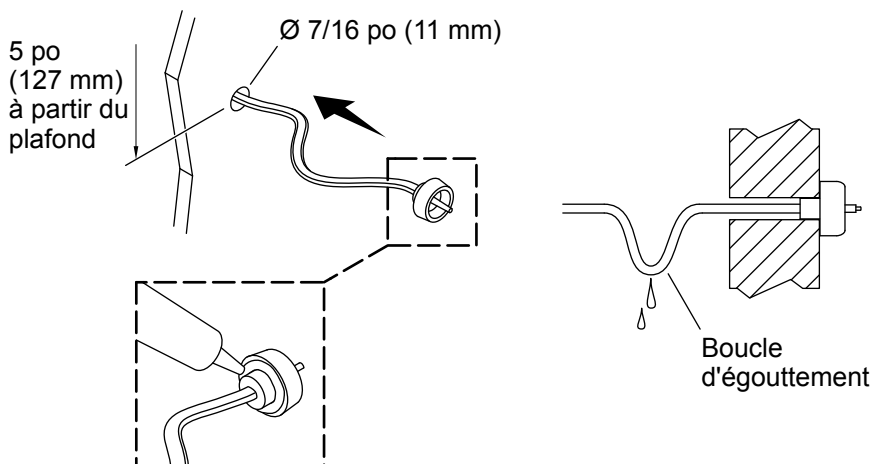
2. Installer la ou les têtes de diffusion de vapeur



REMARQUE : Ne pas obstruer la tête de diffusion de vapeur avec des robinets d'arrêt, des bouchons ou des capuchons.

- Soustraire 1-1/4 po (32 mm) de la longueur marquée sur le mamelon temporaire.
- Choisir une longueur de mamelon dans un rayon de 1/8 po (3 mm) de la dimension « X ».
- Appliquer du mastic pour filets sur une extrémité du mamelon, et enfiler celui-ci dans le logement jusqu'à ce qu'il soit serré à la main.
- Appliquer du mastic pour filets sur l'autre extrémité du mamelon.
- Positionner le joint statique sur le logement.
- Utiliser une douille de 1 po pour enfiler le logement dans le coude.
- Vérifier que le joint statique est comprimé pour obtenir un bon joint autour du logement.
- Si nécessaire, utiliser un mastic d'étanchéité approprié pour obtenir un joint étanche à l'eau.
- Enfoncer la tête de diffusion de vapeur dans le logement avec le puits placé sur le haut.

3. Installer le capteur de température



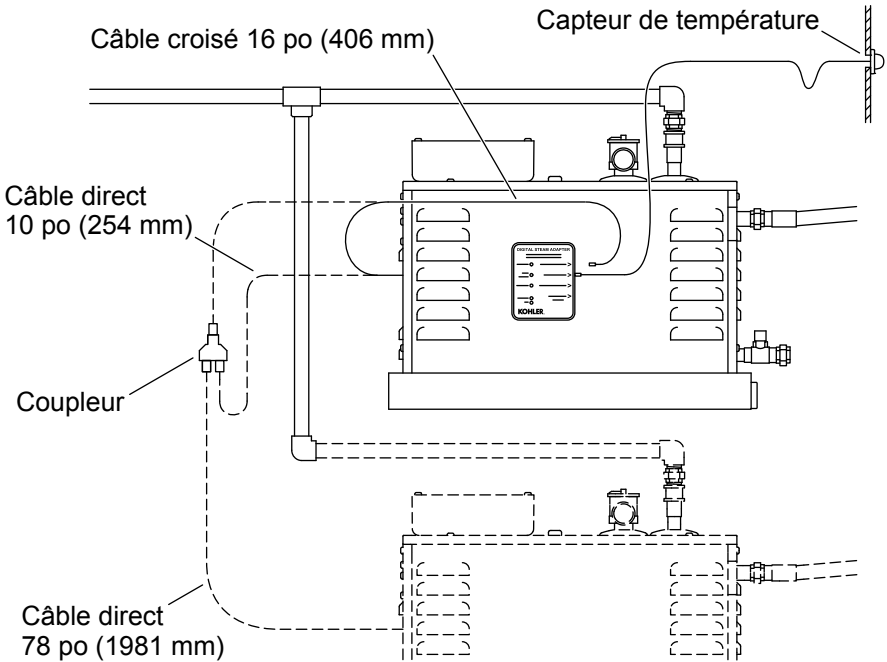
ATTENTION : Risque d'endommagement du produit. Ne pas pincer, clouer, biseauter ou utiliser une force non nécessaire lors de la manipulation des fils et des câbles. Tous dommages peuvent entraîner une défaillance du produit.

IMPORTANT! Créer une boucle d'égouttement dans le câble du capteur de température pour empêcher les dégâts d'eau vers le générateur de vapeur.

AVIS : Le capteur de température doit être placé sur le mur opposé de celui de la ou des têtes de diffusion de vapeur.

- Positionner le capteur de température à 5 po (127 mm) en dessous du plafond, sur le côté opposé de la tête de diffusion de vapeur.
- Percer un trou de 7/16 po (11 mm) à l'emplacement choisi.
- Insérer le fil du capteur de température par le trou percé.
- Acheminer le fil à l'arrière du mur vers l'emplacement du générateur de vapeur.
- Appliquer un petit cordon de mastic à la silicone à 100 % sur l'arrière du logement du capteur. Ne pas laisser de mastic d'étanchéité entrer en contact avec la sonde du capteur.
- Presser fermement le capteur sur le mur.
- Fixer temporairement le capteur en place avec du ruban adhésif.
- Attendre que le mastic d'étanchéité ait séché avant utilisation.

4. Installer l'adaptateur de la tige



ATTENTION : Risque d'endommagement du produit. Ne pas pincer, clouer, biseauter ou utiliser une force non nécessaire lors de la manipulation des fils et des câbles. Tous dommages peuvent entraîner une défaillance du produit.

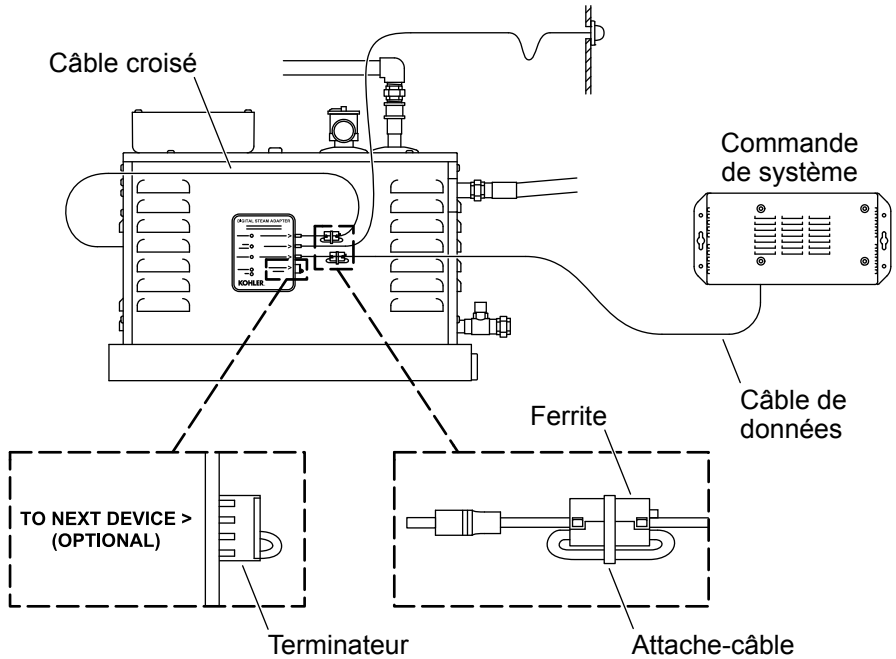
- Retirer l'endos adhésif du nouvel adaptateur de vapeur.
- Enfoncer fermement l'adaptateur de vapeur sur le côté du générateur de vapeur.

REMARQUE : Appliquer de la graisse diélectrique sur tous les connecteurs.

- Une seule tête de diffusion de vapeur :** Connecter le câble croisé en argent de 16 po (406 mm) au générateur de vapeur.
- Deux têtes de diffusion de vapeur :** Connecter le câble croisé en argent de 16 po (406 mm) au port unique sur le coupleur.

- Deux têtes de diffusion de vapeur :** Connecter les câbles directs de 10 po (254 mm) et de 78 po (1 981 mm) au coupleur. Attacher l'autre extrémité de chaque câble à un générateur de vapeur.
- Connecter le fil du capteur de température au port correspondant sur l'adaptateur de vapeur.

5. Terminer l'installation



REMARQUE : Le terminateur doit être installé si aucun composant supplémentaire ne sera ajouté à ce dispositif.

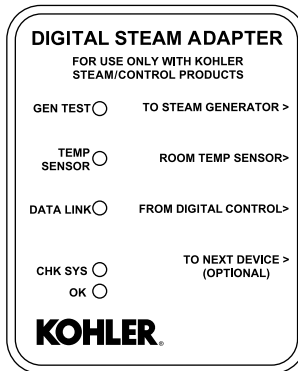
- Positionner une ferrite vers l'extrémité de l'adaptateur du câble croisé du générateur de vapeur.
- Enfiler le câble à travers la ferrite et enclencher la ferrite pour la fermer.
- Utiliser une attache de câble pour fixer la ferrite en place avec précaution.
- Répéter les étapes d'installation de la ferrite pour le câble de données.
- Appliquer de la graisse diélectrique au connecteur sur l'extrémité en ferrite des câbles et connecter adéquats aux ports sur l'adaptateur de diffusion de vapeur.
- Acheminer le câble de données vers l'emplacement d'installation du module de commande du système.
- Le cas échéant, installer le terminateur sur l'adaptateur de vapeur.
- Si cela n'a pas encore été effectué, installer le module de commande du système selon les instructions accompagnant le produit.

- Appliquer de la graisse diélectrique sur le connecteur du câble de données et connecter à l'un des ports de composants sur le module de commande du système.
- Ouvrir l'alimentation en eau.
- Mettre le générateur de vapeur sous tension électrique.
- Pour obtenir de l'information supplémentaire sur la configuration et le fonctionnement du système, se reporter au guide sur la page du produit du module de commande du système sur le site kohler.com.

Avant de faire fonctionner le module de commande du système la première fois :

Télécharger et installer le logiciel le plus récent pour les composants connectés. Une heure ou plus peuvent être nécessaires en fonction de la configuration du système et de la vitesse de connexion Internet. **Ne pas déconnecter l'alimentation des composants pendant le téléchargement et l'installation du logiciel.**

Fonctionnement



Voyants DEL d'état

- « GEN TEST » = connexion/fonctionnement du générateur de vapeur.
- « TEMP SENSOR » = connexion/fonctionnement du capteur de température.
- « DATA LINK » = connexion/fonctionnement du câble de données.
- Fonctionnement normal** : Chaque voyant DEL clignote continuellement en vert toutes les secondes.
- Fonctionnement incorrect** : Un ou plusieurs voyants DEL sont allumés continuellement en vert, en rouge continu, en rouge clignotant ou ne sont pas allumés. Se reporter à la section « Dépannage » pour plus d'informations.

Fonction d'auto-nettoyage



AVERTISSEMENT : Risque de blessures. La température de la chambre de vapeur sera extrêmement élevée lorsque la fonction d'auto-nettoyage est activée. Ne pas entrer dans la chambre de vapeur pendant que la fonction d'auto-nettoyage est en cours.

AVIS : Les utilisateurs recevront automatiquement un rappel d'auto-nettoyage au bout de 600 minutes d'utilisation du générateur de vapeur. Le générateur de vapeur peut encore fonctionner trois fois avant qu'il ne soit nécessaire d'exécuter la fonction d'auto-nettoyage. Le système se verrouille si l'on ne lance pas la fonction d'auto-nettoyage au bout du troisième rappel. L'auto-nettoyage doit être exécuté pour que le fonctionnement de la vapeur puisse recommencer.

REMARQUE : Lorsque la fonction d'auto-nettoyage est activée, de l'eau est déchargée de la tête de diffusion de vapeur.

REMARQUE : Pour le dépannage du module de commande du système, se reporter au guide fourni sur la page de produit du module de commande du système sur le site kohler.com.

Ce guide de dépannage est destiné à fournir une aide d'ordre général uniquement. Pour des problèmes ou questions concernant l'entretien et l'installation, composer le 1-800-4KOHLER.

Symptômes	Cause probable	Action recommandée
1. Les voyants de l'adaptateur sont éteints.	<p>A. Une alimentation non adéquate est fournie au générateur de vapeur (le voyant d'état vert du générateur de vapeur est éteint).</p> <p>B. L'adaptateur ne reçoit pas d'alimentation en provenance du générateur de vapeur (le voyant d'état vert du générateur de vapeur est allumé).</p> <p>C. L'adaptateur ne fonctionne pas (le voyant d'état vert du générateur de vapeur est allumé).</p>	<p>A. Fournir une alimentation adéquate au générateur de vapeur. Si nécessaire, utiliser la trousse d'essai fournie pour vérifier que le générateur de vapeur fonctionne correctement.</p> <p>B. Utiliser la trousse d'essai et les instructions fournies pour identifier la source du problème.</p> <p>C. Appeler le centre de services à la clientèle en utilisant les renseignements fournis à l'avant de ce manuel.</p>
2. Le voyant « GEN TEST » clignote en rouge.	<p>A. Une erreur s'est produite avec le générateur de vapeur.</p>	<p>A. Vérifier le code d'erreur sur la commande numérique. Se reporter au guide fourni sur la page de produit de la commande numérique sur le site kohler.com.</p>

Symptômes	Cause probable	Action recommandée
3. Le voyant « TEMP SENSOR » clignote en rouge.	<p>A. Le capteur de température n'est pas connecté.</p> <p>B. Le capteur de température ne fonctionne pas.</p>	<p>A. Connecter le capteur de température.</p> <p>B. Appeler le centre de services à la clientèle en utilisant les renseignements fournis à l'avant de ce manuel.</p>
4. Le voyant « DATA LINK » clignote en rouge.	<p>A. Aucune connexion vers le module de commande n'a été établie à ce point.</p> <p>B. Il n'est pas possible d'établir une connexion vers le module de commande.</p> <p>C. Une erreur s'est produite.</p>	<p>A. Attendre que la connexion soit effectuée.</p> <p>B. Retirer et réattacher le câble qui connecte l'adaptateur au module de commande. Inspecter le câble pour y déceler des dommages éventuels et le remplacer si nécessaire.</p> <p>C1. Vérifier le code d'erreur sur la commande numérique. Se reporter au guide fourni sur la page de produit de la commande numérique sur le site kohler.com.</p> <p>C2. Réinitialiser l'alimentation vers le générateur de vapeur et le module de commande du système.</p> <p>C3. Exécuter une réinitialisation du système sur la commande numérique.</p>
5. Le menu de vapeur disparaît après une demande de vapeur.	<p>A. Les câbles entre le(s) générateur(s) de vapeur et l'adaptateur sont installés incorrectement.</p>	<p>A1. Réinstaller le(s) câble(s) entre le(s) générateur(s) de vapeur et l'adaptateur selon les instructions de ce guide.</p> <p>A2. Appeler le centre de services à la clientèle en utilisant les renseignements fournis à l'avant de ce manuel.</p>

Symptômes	Cause probable	Action recommandée
<p>6. L'affichage n'indique pas la fonction de vapeur.</p>	<p>A. Une alimentation non adéquate est fournie au générateur de vapeur (le voyant d'état vert du générateur de vapeur est éteint).</p> <p>B. L'adaptateur ne fonctionne pas (le voyant d'état vert du générateur de vapeur est allumé).</p>	<p>A1. Fournir une alimentation adéquate au générateur de vapeur. Si nécessaire, utiliser la trousse d'essai fournie pour vérifier que le générateur de vapeur fonctionne correctement.</p> <p>A2. Appeler le centre de services à la clientèle en utilisant les renseignements fournis à l'avant de ce manuel.</p> <p>B1. Réinstaller le(s) câble(s) entre le(s) générateur(s) de vapeur et l'adaptateur selon les instructions de ce guide.</p> <p>B2. Appeler le centre de services à la clientèle en utilisant les aux renseignements fournis à l'avant de ce manuel.</p>
<p>7. De l'eau s'écoule de la tête de diffusion de vapeur.</p>	<p>A. Fonctionnement normal.</p> <p>B. Les conduites d'alimentation en eau sont connectées incorrectement.</p> <p>C. Les composants internes du générateur de vapeur ne fonctionnent pas correctement.</p>	<p>A. Une petite quantité d'eau s'écoule généralement de la tête de diffusion de vapeur juste avant, pendant et après l'utilisation du générateur de vapeur, et également lorsque la fonction d'auto-nettoyage est activée.</p> <p>B. Étudier le guide d'installation du générateur de vapeur et réinstaller les conduites au emplacements appropriés.</p> <p>C1. Couper l'arrivée d'eau vers le générateur de vapeur. Si possible, vidanger le réservoir. Ouvrir lentement la vanne d'alimentation en eau pour remplir le générateur de vapeur.</p> <p>C2. Appeler le centre de services à la clientèle en utilisant les renseignements fournis à l'avant de ce manuel.</p>

Symptômes	Cause probable	Action recommandée
<p>8. Aucune vapeur après 5 minutes d'activation du générateur de vapeur.</p>	<p>A. Une erreur s'est produite.</p> <p>B. Le point de consigne de la température a été atteint.</p> <p>C. Une alimentation non adéquate est fournie au générateur de vapeur (le voyant d'état vert du générateur de vapeur est éteint).</p> <p>D. Les câbles entre le(s) générateur(s) de vapeur et l'adaptateur sont installés incorrectement.</p> <p>E. La conduite de vapeur ou la tête de diffusion de vapeur est bloquée.</p> <p>F. Le générateur de vapeur ne fonctionne pas.</p>	<p>A. Vérifier le code d'erreur sur la commande numérique. Se reporter au guide fourni sur la page de produit du module de commande numérique sur le site kohler.com.</p> <p>B. Vérifier que le point de consigne de la température est supérieur à la température actuelle de la chambre de vapeur. Augmenter le point de consigne de la température si souhaité.</p> <p>C. Fournir une alimentation adéquate au générateur de vapeur. Si nécessaire, utiliser la trousse d'essai fournie pour vérifier que le générateur de vapeur fonctionne correctement.</p> <p>D. Réinstaller le(s) câble(s) entre le(s) générateur(s) de vapeur et l'adaptateur selon les instructions de ce guide.</p> <p>E. Examiner la conduite de vapeur et la tête de diffusion de vapeur pour y rechercher une obstruction. Réparer au besoin.</p> <p>F1. Utiliser la trousse d'essai et les instructions fournies pour identifier la source du problème.</p> <p>F2. Appeler le centre de services à la clientèle en utilisant les renseignements fournis à l'avant de ce manuel.</p>
<p>9. La vapeur s'est arrêtée.</p>	<p>A. Une erreur s'est produite.</p> <p>B. La limite du temps de session a été atteinte ou le point de consigne de la température a été atteint.</p>	<p>A. Vérifier le code d'erreur sur la commande numérique. Se reporter au guide fourni sur la page de produit de la commande numérique sur le site kohler.com.</p> <p>B. Redémarrer la minuterie de la session ou augmenter le point de consigne de la température.</p>

Instrucciones de instalación

Adaptador de vapor / Cabezal de vapor

Gracias por elegir productos KOHLER

¿Necesita ayuda? Comuníquese con nuestro Centro de Atención al Cliente.

- EE. UU./Canadá: 1-800-4KOHLER (1-800-456-4537) México: 001-800-456-4537
- Piezas de repuesto: kohler.com/serviceparts
- Cuidado y limpieza: kohler.com/clean
- Patentes: kohlercompany.com/patents

Garantía

A este producto lo cubre la **garantía limitada de cinco años para griferías, válvulas y controles electrónicos de KOHLER®**, que puede consultarse en kohler.com/warranty. Si lo desea, solicite al Centro de Atención al Cliente una copia impresa de los términos de la garantía.

ADVERTENCIAS IMPORTANTES DE SEGURIDAD

Al usar productos eléctricos, en especial cuando haya niños presentes, siempre cumpla las precauciones básicas de seguridad, como las siguientes:



PELIGRO: Riesgo de sufrir sacudidas eléctricas. Antes de realizar estos pasos de instalación, desconecte el suministro eléctrico al área de trabajo en el panel principal de interruptores de circuito.



AVISO: Riesgo de sufrir lesiones personales. Si se siente incómodo mientras toma un baño de vapor, debe apagar la unidad. Refréscase con la ducha, abra la puerta o salga de la unidad.



AVISO: Riesgo de reacción alérgica. Antes de agregar aceites, terapias aromáticas o productos para la piel en el depósito para aromaterapia, verifique que no le causen reacciones alérgicas al usuario.



AVISO: Riesgo de sufrir lesiones personales. Es posible que este baño de vapor no sea adecuado para el usuario en casos de embarazo, problemas del corazón, alta presión, problemas circulatorios, influencia del alcohol, consumo de ciertas medicinas o si está bajo atención médica. El baño de vapor puede representar demasiado esfuerzo para el cuerpo, al igual que cualquier baño, ducha o sauna caliente.



AVISO: Riesgo de sufrir lesiones personales. NO consuma bebidas alcohólicas ni drogas, ni tome medicamentos antes de usar el baño de vapor o al usarlo. El alcohol, las drogas y las medicinas afectan el buen juicio, aumentan en mucho el riesgo de sufrir de hipertermia, e inhiben las funciones corporales tales como los latidos del corazón y la respiración, lo que ocasiona efectos potencialmente peligrosos.



AVISO: Riesgo de que los niños sufran lesiones. No permita que los niños usen esta unidad, a menos que estén supervisados de cerca en todo momento. El generador de vapor no está diseñado para ser usado por niños.



AVISO: Riesgo de sufrir escaldaduras o quemaduras. No se acerque al cabezal de vapor mientras este esté en funcionamiento. El cabezal de vapor está caliente mientras está en funcionamiento.



AVISO: Riesgo de sufrir lesiones personales o de causar daños a la propiedad. Evite entrar en contacto con el tanque de agua y/o con la línea de descarga de vapor mientras el generador de vapor esté en funcionamiento o un poco después de que se haya apagado. Use protección para los ojos y ropa de protección al dar servicio al generador de vapor. El generador de vapor funciona a altas temperaturas.

Use este producto únicamente con el fin para el que ha sido fabricado, tal como se describe en este manual. Solo use aditamentos que recomiende Kohler Co.

Cumpla todos los códigos locales de plomería, construcción y eléctricos.

Funcionamiento con un controlador del sistema

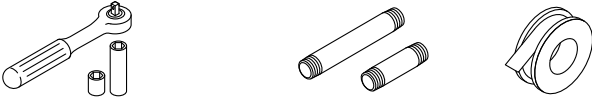
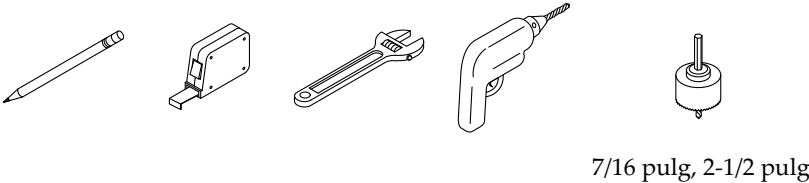
Para conectar el adaptador de vapor a un sistema digital de ducha, se necesita un controlador del sistema.

Se incluye un cable de datos de 25' (7,6 m) para conectar el adaptador de vapor al controlador del sistema. Si el generador de vapor no está a menos de 25' (7,6 m) del controlador del sistema, agregue un cable de extensión y un acoplador.

Antes de usar el controlador del sistema por primera vez:

Descargue e instale el software más reciente para los componentes conectados. Completar este proceso puede tomar una hora o más, de acuerdo a la configuración del sistema y a la velocidad de conexión de Internet. **No desconecte el suministro eléctrico de ningún componente durante la descarga y la instalación del software.**

Herramientas y materiales



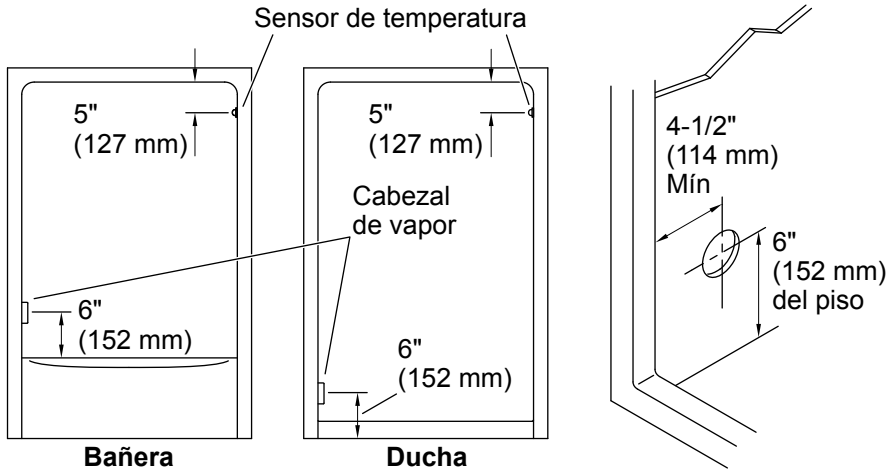
Llave de dados con dado de 1 pulg. Niples de tubería Cinta selladora



Grasa dieléctrica Sellador 100 % de silicona

Antes de comenzar

ES



AVISO: Riesgo de sufrir lesiones personales. Debe haber un control digital ubicado dentro del recinto de vapor que permita regular la temperatura y el vapor.



PRECAUCIÓN: Riesgo de sufrir quemaduras. No ubique el cabezal de vapor cerca de un asiento o de una banca. El cabezal de vapor está caliente durante el funcionamiento, y podría quemar al usuario si lo llegara a tocar.

AVISO: No coloque el control digital en la misma pared que los cabezales de vapor.

AVISO: El sensor de temperatura debe colocarse en la pared opuesta a donde están los cabezales de vapor.

NOTA: En el caso de cabezales de vapor dobles, instáloselos en distintas paredes para mejorar la distribución del vapor. Si se instalan en la misma pared, se deben colocar por lo menos con 12-1/2" (318 mm) entre sí.

De ser posible, instale los generadores de vapor y el controlador del sistema antes de iniciar esta instalación.

Coloque el cabezal de vapor 6" (152 mm) arriba del piso o del reborde de la bañera y a 4-1/2" (114 mm) del interior del umbral.

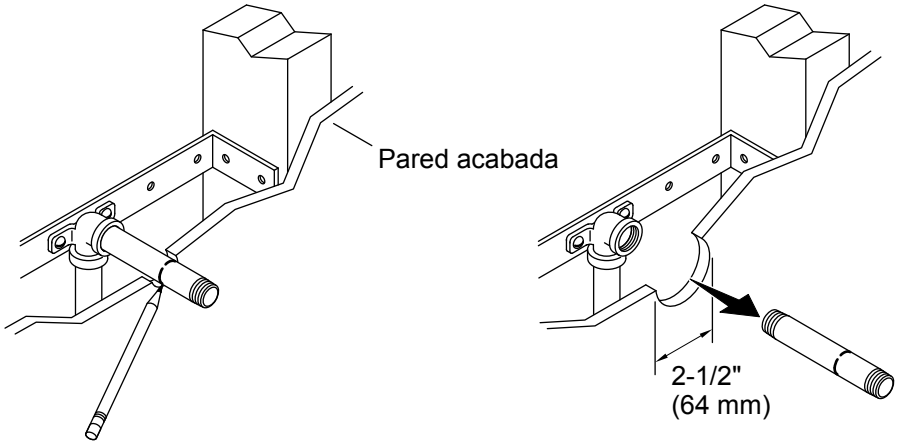
Ubique los cabezales de vapor lo más lejos que sea posible de las áreas para sentarse en la ducha.

Ubique el sensor de temperatura 5" (127 mm) abajo del techo, en la pared opuesta al cabezal de vapor.

Deje espacio adecuado entre las líneas de vapor y las superficies circundantes, o aplique aislante apropiado a las líneas de vapor.

1. Prepare el sitio

ES

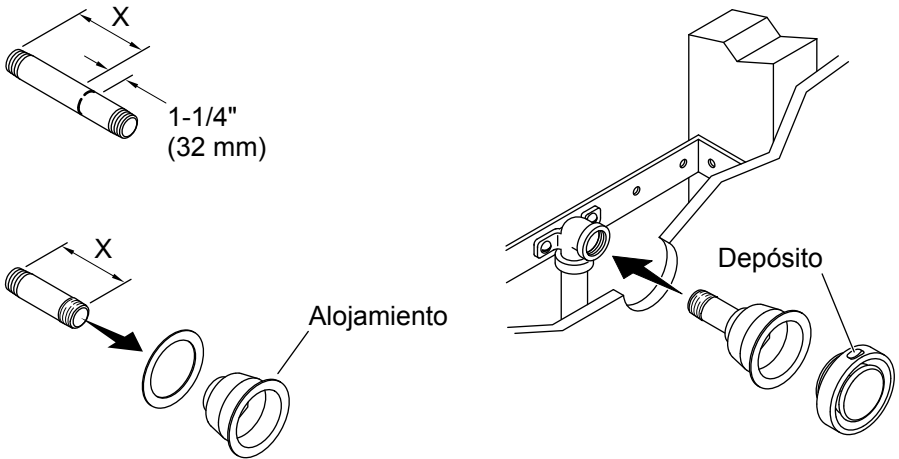


NOTA: Esta sección continúa los pasos de instalación de las instrucciones de instalación del generador de vapor. Cuando sea necesario, consulte más información en las instrucciones de instalación del generador de vapor.

NOTA: En el caso de cabezales de vapor dobles, instálelos en distintas paredes para mejorar la distribución del vapor. Si se instalan en la misma pared, se deben colocar por lo menos con 12-1/2" (318 mm) entre sí.

- Instale el acabado de la pared.
- Recorte un orificio de 2-1/2" (64 mm) centrado alrededor de un niple provisional.
- Marque el niple provisional en la superficie de la pared acabada.
- Retire el niple provisional, y guárdelo.

2. Instale los cabezales de vapor

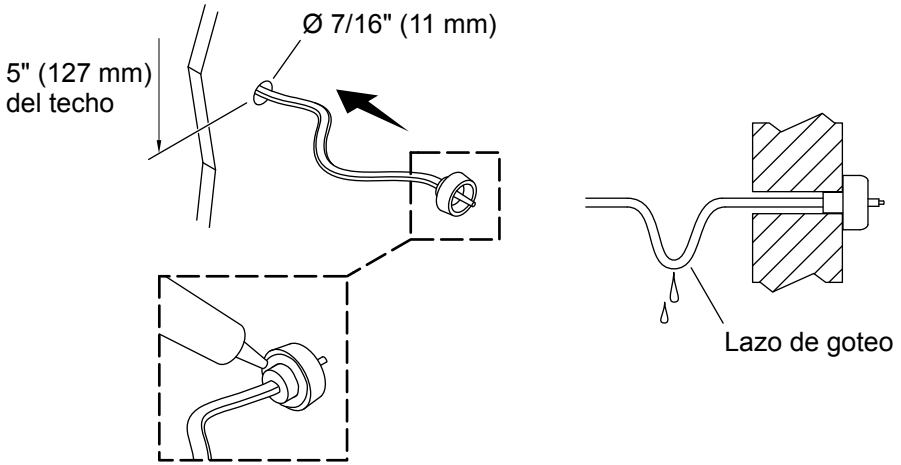


NOTA: No obstruya el cabezal de vapor con llaves de paso, tapones o tapas.

- Reste 1-1/4" (32 mm) de la longitud marcada en el niple provisional.
- Elija una longitud de niple menor de 1/8" (3 mm) de la dimensión "X".
- Aplique sellador de roscas en un extremo del niple, y apriételo a mano en el alojamiento.
- Aplique sellador de roscas al otro extremo del niple.
- Coloque el empaque en el alojamiento.
- Con un dado de 1 pulg enrosque el alojamiento en el codo.
- Verifique que el empaque quede comprimido para obtener un sello adecuado alrededor del alojamiento.
- De ser necesario, use un sellador apropiado para que el sello sea hermético.
- Oprima el cabezal de vapor en el alojamiento con el depósito en la parte superior.

3. Instale el sensor de temperatura

ES



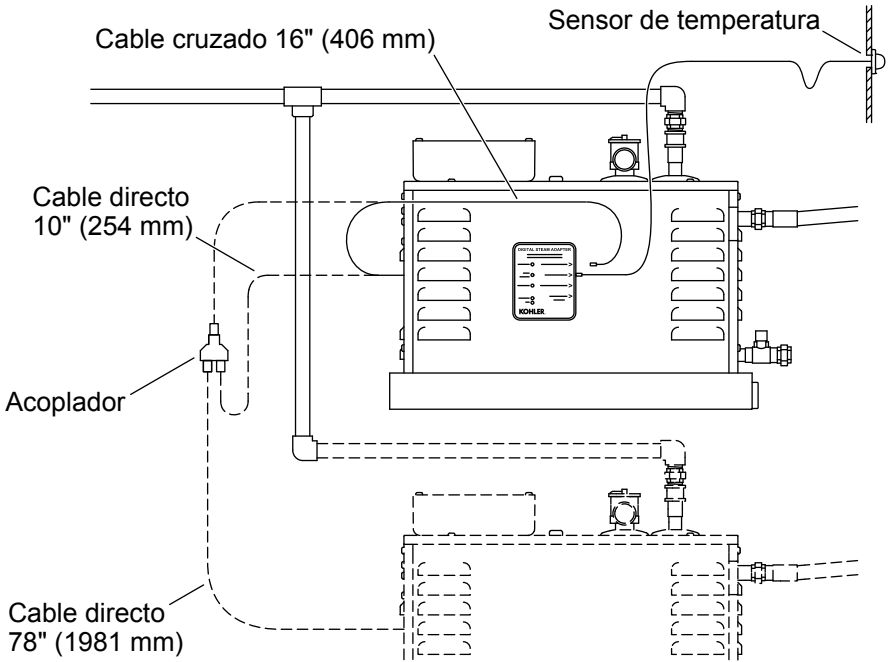
PRECAUCIÓN: Riesgo de causar daños al producto. No pellizque, clave, atore ni use demasiada fuerza al maniobrar los cables. Cualquier daño podría ocasionar una falla en el producto.

¡IMPORTANTE! Haga un lazo de goteo en el cable del sensor de temperatura para evitar que el agua cause daños al generador de vapor.

AVISO: El sensor de temperatura debe colocarse en la pared opuesta a donde están los cabezales de vapor.

- Ubique el sensor de temperatura 5" (127 mm) abajo del techo, en la pared opuesta al cabezal de vapor.
- Taladre un orificio de 7/16" (11 mm) en el lugar elegido.
- Introduzca el cable del sensor de temperatura a través del orificio que taladró.
- Tienda el cable detrás de la pared hacia el lugar del generador de vapor.
- Aplique un pequeño hilo continuo de sellador 100 % de silicona al lado posterior del alojamiento del sensor. No deje que el sellador haga contacto con la sonda del sensor.
- Presione el sensor con firmeza contra la pared.
- Fije provisionalmente el sensor en su lugar con cinta de enmascarar.
- Deje que el sellador se seque por completo antes de usar.

4. Instale el adaptador de vapor



E
S

⚠ PRECAUCIÓN: Riesgo de causar daños al producto. No pellizque, clave, atore ni use demasiada fuerza al maniobrar los cables. Cualquier daño podría ocasionar una falla en el producto.

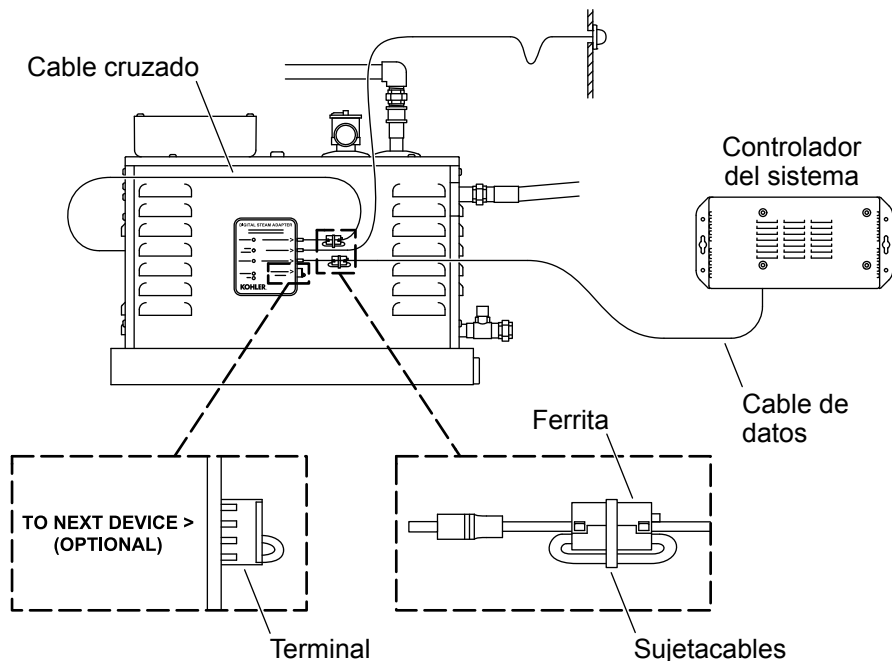
- Retire el protector adhesivo del nuevo adaptador de vapor.
- Oprima el adaptador de vapor con firmeza al lado del generador de vapor.

NOTA: Aplique grasa dieléctrica en todos los conectores.

- Cabezal sencillo de vapor:** Conecte el cable cruzado plateado de 16" (406 mm) al generador de vapor.
- Cabezales dobles de vapor:** Conecte el cable cruzado plateado de 16" (406 mm) al puerto sencillo en el acoplador.

- ❑ **Cabezales dobles de vapor:** Conecte los cables directos de 10" (254 mm) y de 78" (1981 mm) al acoplador. Una el otro extremo de cada uno de los cables al generador de vapor.
- ❑ Conecte el cable del sensor de temperatura al puerto correspondiente en el adaptador de vapor.

5. Complete la instalación



NOTA: Se debe instalar el terminal si no se van a añadir componentes adicionales a este dispositivo.

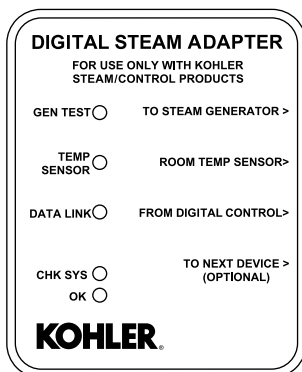
- Coloque una ferrita hacia el extremo del adaptador del cable cruzado del generador de vapor.
- Haga un lazo con el cable a través de la ferrita, y cierre la ferrita a presión.
- Con un sujetacables fije la ferrita en su lugar.
- Repita los pasos de instalación de la ferrita con el cable de datos.
- Aplique grasa dieléctrica a los conectores en los extremos con ferrita de los cables, y conecte a los puertos correctos en el adaptador de vapor.
- Tienda el cable de datos al lugar de instalación del controlador del sistema.
- Si corresponde, instale el terminal al adaptador de vapor.
- Si no está ya instalado, instale el controlador del sistema de acuerdo a las instrucciones incluidas con el producto.

- Aplique grasa dieléctrica al conector del cable de datos, y conecte a uno de los puertos de componentes en el controlador del sistema.
- Abra el suministro de agua.
- Aplique suministro eléctrico al generador de vapor.
- En kohler.com puede consultar información acerca de la configuración y del funcionamiento del sistema en la guía en la página del producto controlador del sistema.

Antes de usar el controlador del sistema por primera vez:

Descargue e instale el software más reciente para los componentes conectados. Completar este proceso puede tomar una hora o más, de acuerdo a la configuración del sistema y a la velocidad de conexión de Internet. **No desconecte el suministro eléctrico de ningún componente durante la descarga y la instalación del software.**


Funcionamiento



Diodos de estado

- “GEN TEST” = conexión/función del generador de vapor.
- “TEMP SENSOR” = conexión/función del sensor de temperatura.
- “DATA LINK” = conexión/función del cable de datos.
- Función normal:** Cada uno de los diodos centellea continuamente en verde una vez por segundo.
- Función inadecuada:** Uno o más diodos están en verde continuo, rojo continuo, rojo centelleante o no iluminados. Consulte la sección “Resolución de problemas” para obtener más información.

Función de autolimpieza

 **AVISO: Riesgo de sufrir lesiones personales.** La temperatura del cuarto de vapor sube demasiado cuando se activa la función de autolimpieza. No entre al cuarto de vapor mientras la función de autolimpieza esté activada.

AVISO: Los usuarios reciben un recordatorio automático para usar autolimpieza después de 600 minutos de uso del generador de vapor. El generador de vapor puede usarse 3 veces más antes de que deba activarse la función de autolimpieza. Si no inicia la autolimpieza después del tercer recordatorio, el sistema se bloquea. Es necesario iniciar la autolimpieza para volver a usar el vapor.

NOTA: Al activar la función de autolimpieza, el cabezal de vapor descarga agua.

Resolución de problemas

NOTA: Para resolver problemas del controlador del sistema, consulte la guía en la página del producto controlador del sistema en kohler.com.

Esta guía de resolución de problemas está diseñada únicamente como ayuda general. Si tiene preguntas acerca de servicio e instalación, llame al 1-800-4KOHLER.

Síntomas	Causa probable	Acción recomendada
1. Las luces en el adaptador están apagadas.	<p>A. El suministro de energía al generador de vapor es inadecuado (la luz verde de estado en el generador de vapor está apagada).</p> <p>B. El adaptador no está recibiendo energía del generador de vapor (la luz verde de estado en el generador de vapor está iluminada).</p> <p>C. El adaptador no está funcionando (la luz verde de estado en el generador de vapor está iluminada).</p>	<p>A. Proporcione suministro eléctrico adecuado al generador de vapor. De ser necesario, use el kit de prueba que se incluye para verificar que el generador de vapor esté funcionando correctamente.</p> <p>B. Use el juego de prueba que se incluye y las instrucciones para identificar el origen del problema.</p> <p>C. Llame al Centro de Atención al Cliente mediante la información al frente de este manual.</p>
2. La luz "GEN TEST" está centelleando en rojo.	<p>A. Ha ocurrido un error en el generador de vapor.</p>	<p>A. Revise el código de errores en el control digital. Consulte la guía en la página del producto de control digital en kohler.com.</p>

Síntomas	Causa probable	Acción recomendada
3. La luz "TEMP SENSOR" está centelleando en rojo.	<p>A. El sensor de temperatura no está conectado.</p> <p>B. El sensor de temperatura no está funcionando.</p>	<p>A. Conecte el sensor de temperatura.</p> <p>B. Llame al Centro de Atención al Cliente mediante la información al frente de este manual.</p>
4. La luz "DATA LINK" está centelleando en rojo.	<p>A. Todavía no se ha establecido una conexión al controlador.</p> <p>B. No se puede establecer una conexión al controlador.</p> <p>C. Ha ocurrido un error.</p>	<p>A. Espere a que se haga la conexión.</p> <p>B. Desconecte y vuelva a conectar el cable que conecta el adaptador al controlador. Revise si el cable está dañado, y cámbielo de ser necesario.</p> <p>C1. Revise el código de errores en el control digital. Consulte la guía en la página del producto de control digital en kohler.com.</p> <p>C2. Restablezca el suministro eléctrico al generador de vapor y al controlador del sistema.</p> <p>C3. Restablezca el sistema en el control digital.</p>
5. El menú de vapor desaparece después de solicitar vapor.	<p>A. Los cables entre los generadores de vapor y el adaptador están instalados incorrectamente.</p>	<p>A1. Vuelva a instalar los cables entre los generadores de vapor y el adaptador, de acuerdo a las instrucciones en esta guía.</p> <p>A2. Llame al Centro de Atención al Cliente mediante la información al frente de este manual.</p>

Síntomas	Causa probable	Acción recomendada
<p>6. El indicador no muestra la función de vapor.</p>	<p>A. El suministro de energía al generador de vapor es inadecuado (la luz verde de estado en el generador de vapor está apagada).</p> <p>B. El adaptador no está funcionando (la luz verde de estado en el generador de vapor está iluminada).</p>	<p>A1. Proporcione suministro eléctrico adecuado al generador de vapor. De ser necesario, use el kit de prueba que se incluye para verificar que el generador de vapor esté funcionando correctamente.</p> <p>A2. Llame al Centro de Atención al Cliente mediante la información al frente de este manual.</p> <p>B1. Vuelva a instalar los cables entre los generadores de vapor y el adaptador, de acuerdo a las instrucciones en esta guía.</p> <p>B2. Llame al Centro de Atención al Cliente mediante la información al frente de este manual.</p>
<p>7. Sale agua del cabezal de vapor.</p>	<p>A. Funcionamiento normal.</p> <p>B. Las líneas de suministro de agua están conectadas incorrectamente.</p> <p>C. Los componentes internos del generador de vapor no están funcionando correctamente.</p>	<p>A. Normalmente sale una pequeña cantidad de agua del cabezal de vapor justo antes, durante, y después del uso del generador de vapor, así como cuando se activa la función de autolimpieza.</p> <p>B. Revise la guía de instalación del generador de vapor y vuelva a instalar las líneas en los lugares apropiados.</p> <p>C1. Cierre el suministro de agua al generador de vapor. Si es posible, vacíe el tanque. Abra lentamente la válvula de suministro de agua para rellenar el generador de vapor.</p> <p>C2. Llame al Centro de Atención al Cliente mediante la información al frente de este manual.</p>

Síntomas	Causa probable	Acción recomendada
<p>8. No sale vapor después de 5 minutos de haber activado el generador de vapor.</p>	<p>A. Ha ocurrido un error.</p> <p>B. Se ha alcanzado la temperatura preseleccionada.</p> <p>C. El suministro de energía al generador de vapor es inadecuado (la luz verde de estado en el generador de vapor está apagada).</p> <p>D. Los cables entre los generadores de vapor y el adaptador están instalados incorrectamente.</p> <p>E. La línea de vapor y/o el cabezal de vapor están bloqueados.</p> <p>F. El generador de vapor no está funcionando.</p>	<p>A. Revise el código de errores en el control digital. Consulte la guía en la página del producto de control digital en kohler.com.</p> <p>B. Verifique que la temperatura preseleccionada sea más alta que la temperatura actual del cuarto de vapor. Si lo desea, aumente la temperatura preseleccionada.</p> <p>C. Proporcione suministro eléctrico adecuado al generador de vapor. De ser necesario, use el kit de prueba que se incluye para verificar que el generador de vapor esté funcionando correctamente.</p> <p>D. Vuelva a instalar los cables entre los generadores de vapor y el adaptador, de acuerdo a las instrucciones en esta guía.</p> <p>E. Revise que no haya obstrucciones en el cabezal de vapor o en la línea de vapor. Repare, de ser necesario.</p> <p>F1. Use el juego de prueba que se incluye y las instrucciones para identificar el origen del problema.</p> <p>F2. Llame al Centro de Atención al Cliente mediante la información al frente de este manual.</p>
<p>9. El vapor ha dejado de salir.</p>	<p>A. Ha ocurrido un error.</p> <p>B. Se llegó al límite de tiempo de la sesión o se llegó a la temperatura preseleccionada.</p>	<p>A. Revise el código de errores en el control digital. Consulte la guía en la página del producto de control digital en kohler.com.</p> <p>B. Vuelva a iniciar el temporizador de la sesión o aumente la temperatura preseleccionada.</p>

USA/Canada: 1-800-4KOHLER (1-800-456-4537)
Mexico: 001-800-456-4537
kohler.com

THE BOLD LOOK
OF **KOHLER**®

©2022 Kohler Co.



1381955-2

1381955-2-B