

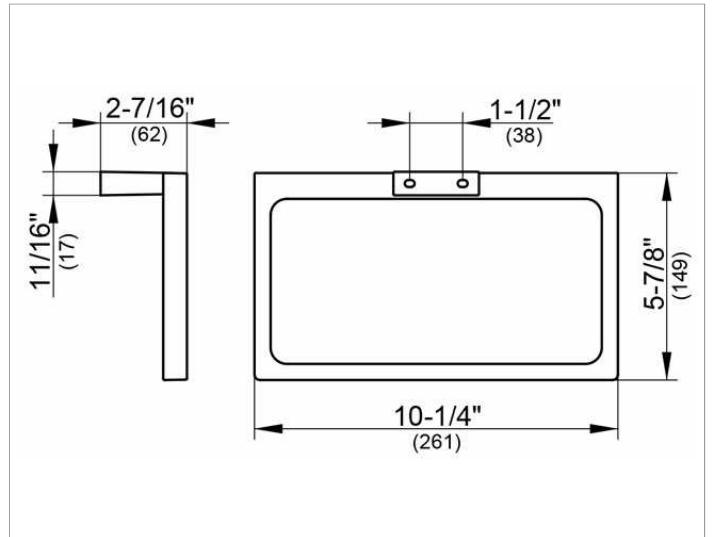
Edition 11

11121130000 Towel ring

PRODUCT



DRAWING



SURFACE

brushed black chrome

SPECIFICATIONS

KEUCO EDITION 11 towel ring 11121130000
 brushed black chrome towel ring in formal design and clear geometric shapes
 Width $10\frac{1}{4}$ " Depth: $2\frac{7}{16}$ ",
 delivery with corrosion resistant mounting hardware

Warranty: KEUCO products are covered by a 5-year manufacturer's warranty, in effect from the date of purchase. During this time, proven product defects will be remedied free of charge. Warranty claims must be filed in writing, including a detailed description of the defect immediately after a defect has occurred. For a copy of our detailed product warranty policy, please contact us at office-usa@keuco.com.

Installation: KEUCO products must be installed by a qualified professional in accordance with the respective installation guidelines and any applicable federal / local building codes and regulations.