

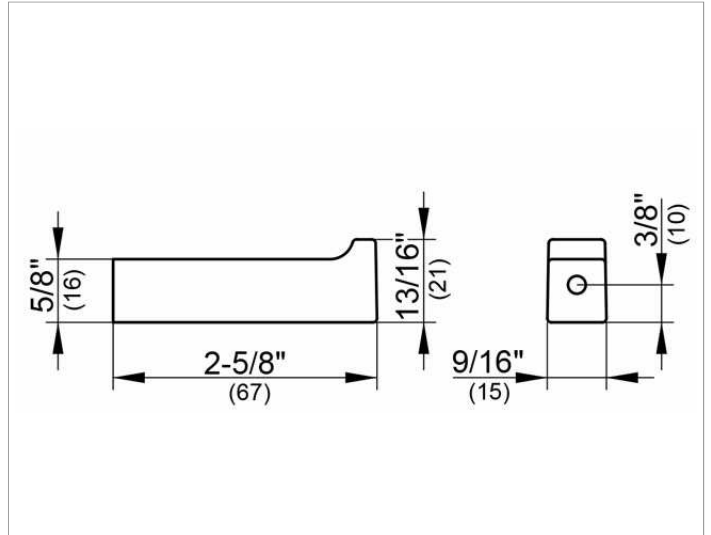
Edition 11

11116050000 Robe hook

PRODUCT



DRAWING



PRODUCT ATTRIBUTES

single

SURFACE

brushed nickel

SPECIFICATIONS

KEUCO EDITION 11 robe hooks 11116050000
 brushed nickel in linear design and clear geometric shapes radius 2-5/8", max. Height 13/16"
 Delivery with corrosion resistant mounting hardware

Warranty: KEUCO products are covered by a 5-year manufacturer's warranty, in effect from the date of purchase. During this time, proven product defects will be remedied free of charge. Warranty claims must be filed in writing, including a detailed description of the defect immediately after a defect has occurred. For a copy of our detailed product warranty policy, please contact us at office-usa@keuco.com.

Installation: KEUCO products must be installed by a qualified professional in accordance with the respective installation guidelines and any applicable federal / local building codes and regulations.