

## SPECIFICATIONS

### PRODUCT SPECIFICATIONS

Just Mfg Stainless Steel 78" x 27-1/2" x 14" Floor Mount Double Compartment Scullery Sink w/L&R Drainboards. Sink is manufactured from 304 Stainless Steel with a Buffed Satin finish, Center drain placement.

<b>Material:</b>	304 Stainless Steel
<b>Finish:</b>	Buffed Satin
<b>Weight Without Packaging:</b>	196.5
<b>Number of Bowls:</b>	2
<b>Sink Dimensions:</b>	78" x 27-1/2" x 44"
<b>Bowl 1 Dimensions:</b>	15" x 24" x 14"
<b>Bowl 2 Dimensions:</b>	15" x 24" x 14"
<b>Drainboard Size:</b>	24
<b>Backsplash Height:</b>	8
<b>Drain Size:</b>	3-1/2" (89mm)
<b>Drain Location:</b>	Center



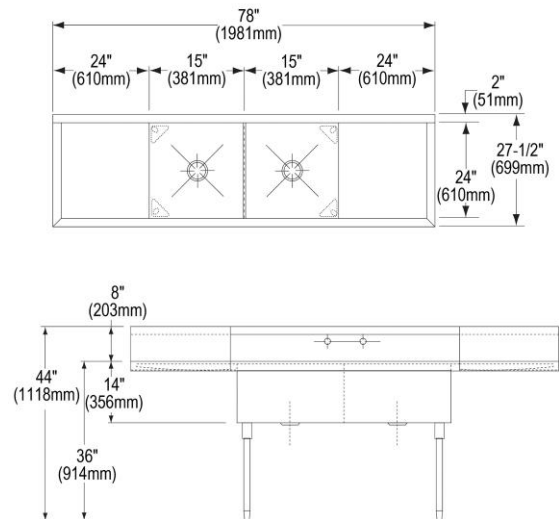
Quality Grade Plumbing Products. Since 1933 we have become the industry standard for designing and producing quality grade plumbing products and fixtures. Our role as an industry leader remains unsurpassed.



**Product Compliance:** ASME A112.19.3/CSA B45.4



[Clean and Care Manual \(PDF\)](#)  
[Warranty \(PDF\)](#)



PART: \_\_\_\_\_ QTY: \_\_\_\_\_

PROJECT: \_\_\_\_\_

CONTACT: \_\_\_\_\_

DATE: \_\_\_\_\_

NOTES: \_\_\_\_\_

APPROVAL: \_\_\_\_\_

*In keeping with our policy of continuing product improvement, Just Mfg reserves the right to change product specifications without notice. Please visit [justmfg.com](http://justmfg.com) for the most current version of Just Mfg product specification sheets. This specification describes a product with design, quality, and functional benefits to the user. When making a comparison of other producers' offerings, be certain these features are not overlooked.*



## SPECIFICATIONS

# Just Mfg Stainless Steel 78" x 27-1/2" x 14" Floor Mount Double Compartment Scullery Sink w/L&R Drainboards **Model(s) SB230-24RL-J**

---

*In keeping with our policy of continuing product improvement, Just Mfg reserves the right to change product specifications without notice. Please visit [justmfg.com](http://justmfg.com) for the most current version of Just Mfg product specification sheets. This specification describes a product with design, quality, and functional benefits to the user. When making a comparison of other producers' offerings, be certain these features are not overlooked.*