

SPECIFICATIONS

PRODUCT SPECIFICATIONS

Just Mfg Stainless Steel 79-1/2" x 27-1/2" x 14" Floor Mount Triple 4-Hole Scullery Sink w/R Drainboard Covered Corners. Sink is manufactured from 14 gauge 304 Stainless Steel with a Buffed Satin finish, Center drain placement.

Material:	304 Stainless Steel
Finish:	Buffed Satin
Gauge:	14
Weight Without Packaging:	164.5
Number of Bowls:	3
Sink Dimensions:	79-1/2" x 27-1/2" x 44"
Bowl 1 Dimensions:	18" x 24" x 14"
Bowl 2 Dimensions:	18" x 24" x 14"
Bowl 3 Dimensions:	18" x 24" x 14"
Drainboard Location:	Left
Drainboard Size:	24
Backsplash Height:	8
Leg Type:	Stainless Steel
Drain Size:	3-1/2" (89mm)
Drain Location:	Center

Hole Drilling Configurations:

Hole #	Description
4	2 Sets of Faucet Holes on 8" Centers



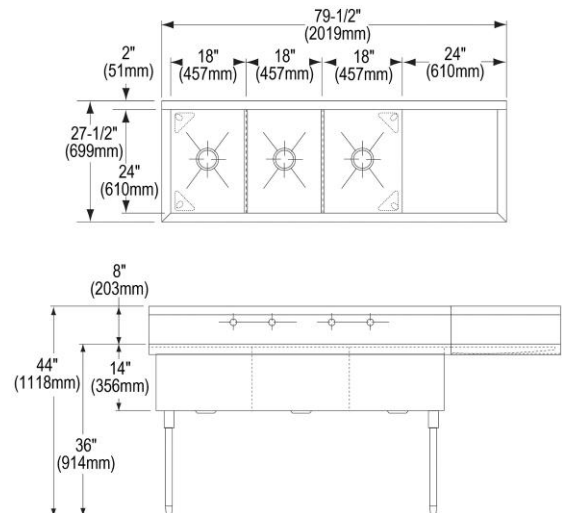
Quality Grade Plumbing Products. Since 1933 we have become the industry standard for designing and producing quality grade plumbing products and fixtures. Our role as an industry leader remains unsurpassed.



Product Compliance: NSF 2
ASME A112.19.3/CSA B45.4



[Clean and Care Manual \(PDF\)](#)
[Warranty \(PDF\)](#)



PART: _____ QTY: _____

PROJECT: _____

CONTACT: _____

DATE: _____

NOTES: _____

APPROVAL: _____

In keeping with our policy of continuing product improvement, Just Mfg reserves the right to change product specifications without notice. Please visit justmfg.com for the most current version of Just Mfg product specification sheets. This specification describes a product with design, quality, and functional benefits to the user. When making a comparison of other producers' offerings, be certain these features are not overlooked.



SPECIFICATIONS

Just Mfg Stainless Steel 79-1/2" x 27-1/2" x 14" Floor Mount
Triple 4-Hole Scullery Sink w/R Drainboard Covered Corners
Model(s) NSFB354-24R-2-2-J

In keeping with our policy of continuing product improvement, Just Mfg reserves the right to change product specifications without notice. Please visit justmfg.com for the most current version of Just Mfg product specification sheets. This specification describes a product with design, quality, and functional benefits to the user. When making a comparison of other producers' offerings, be certain these features are not overlooked.