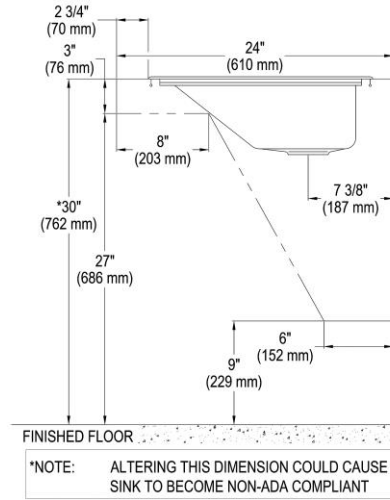


**SPECIFICATIONS**

**PRODUCT SPECIFICATIONS**

Just Mfg Stainless Steel 36" x 22" x 6-1/2" Drop-in 16 Gauge Lavatory Sink. Sink is manufactured from 16 gauge 304 Stainless Steel with a Buffed Satin finish, Rear Left drain placement.

|                                  |                        |
|----------------------------------|------------------------|
| <b>Material:</b>                 | 304 Stainless Steel    |
| <b>Finish:</b>                   | Buffed Satin           |
| <b>Gauge:</b>                    | 16                     |
| <b>Weight Without Packaging:</b> | 22                     |
| <b>Number of Bowls:</b>          | 1                      |
| <b>Sink Dimensions:</b>          | 36" x 22" x 6-1/2"     |
| <b>Bowl 1 Dimensions:</b>        | 33" x 16-1/2" x 6-1/2" |
| <b>Drainboard Location:</b>      | No drainboard          |
| <b>Drain Size:</b>               | 3-1/2" (89mm)          |
| <b>Drain Location:</b>           | Rear Left              |
| <b>Minimum Cabinet Size:</b>     | 39"                    |



| Hole # | Description            |
|--------|------------------------|
| 1      | 1 Faucet Hole Centered |

Quality Grade Plumbing Products. Since 1933 we have become the industry standard for designing and producing quality grade plumbing products and fixtures. Our role as an industry leader remains unsurpassed.



**Product Compliance:** ASME A112.19.3/CSA B45.4  
 ADA & ICC A117.1



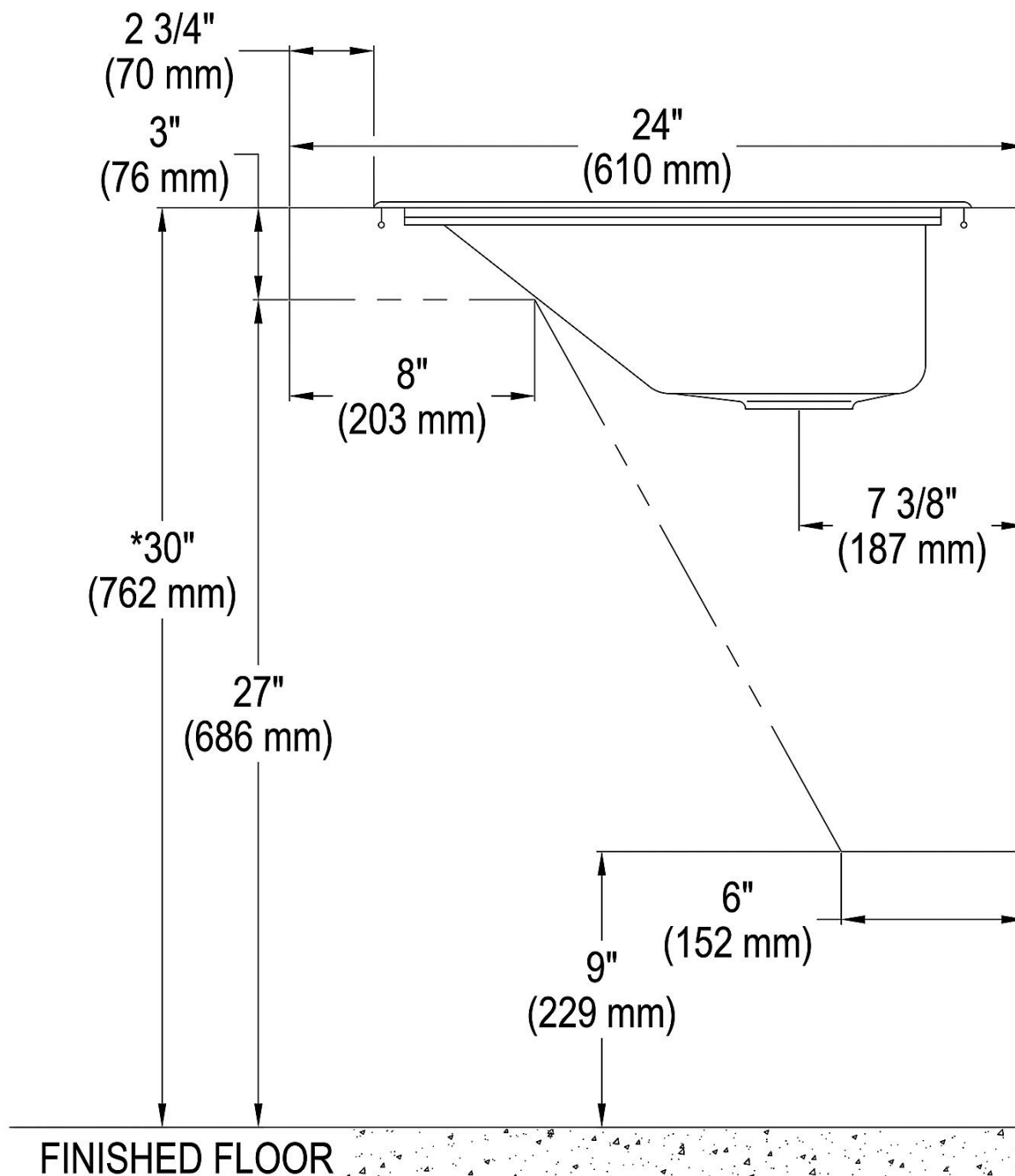
Complies with ADA & ICC A117.1 accessibility requirements when installed according to the requirements outlined in these standards.

[Clean and Care Manual \(PDF\)](#)  
[Warranty \(PDF\)](#)

PART: \_\_\_\_\_ QTY: \_\_\_\_\_  
 PROJECT: \_\_\_\_\_  
 CONTACT: \_\_\_\_\_  
 DATE: \_\_\_\_\_  
 NOTES: \_\_\_\_\_  
 APPROVAL: \_\_\_\_\_

*In keeping with our policy of continuing product improvement, Just Mfg reserves the right to change product specifications without notice. Please visit justmfg.com for the most current version of Just Mfg product specification sheets. This specification describes a product with design, quality, and functional benefits to the user. When making a comparison of other producers' offerings, be certain these features are not overlooked.*

*In keeping with our policy of continuing product improvement, Just Mfg reserves the right to change product specifications without notice. Please visit [justmfg.com](http://justmfg.com) for the most current version of Just Mfg product specification sheets. This specification describes a product with design, quality, and functional benefits to the user. When making a comparison of other producers' offerings, be certain these features are not overlooked.*



**\*NOTE: ALTERING THIS DIMENSION COULD CAUSE SINK TO BECOME NON-ADA COMPLIANT**

In keeping with our policy of continuing product improvement, Just Mfg reserves the right to change product specifications without notice. Please visit [justmfg.com](http://justmfg.com) for the most current version of Just Mfg product specification sheets. This specification describes a product with design, quality, and functional benefits to the user. When making a comparison of other producers' offerings, be certain these features are not overlooked.