



**JETTA**  
AIR HYDROTHERAPY

*Cosmo Collection*

# HALLEY

**(J85)** 59" x 32" x 27"

APPROX. OPERATING GALLONS: 61

AIR INJECTORS: 28

## GENERAL

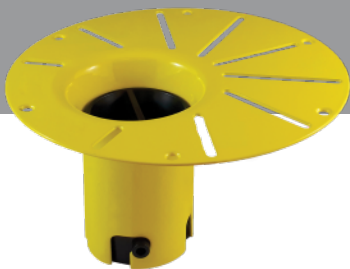
- High-gloss, High-impact, UV-resistant acrylic will not dull or fade
- Leveling feet
- Integrated linear waste & overflow (standard chrome)
  - White available

## SYSTEM

- Seamless air injectors around tub perimeter
- Highly variable speed blower motor with 600 watt heater:
  - 115 Volt - 10 Amps - 1 HP
- Blower must be remote mounted at installation
- Electronic keypad control with variable speeds and 3 settings - Pulse, Wave, or Continuous

## COLORS AVAILABLE

White



### COSMO ABOVE FLOOR DRAIN KIT

- Freestanding tub rough-in
- Install before tile
- Designed to be installed in a 8" to 10" joist space
- Can be installed with waterproof membrane

Sold separately.  
Not required for tub install



**JETTAIR**  
HYDROTHERAPY

FOR INFORMATION OR  
TO PLACE AN ORDER  
CALL 1.800.288.7771



JETTACORP.COM

# TECHNICAL SPECIFICATIONS

## HALLEY J85

59" x 32" x 27" OVAL AIR

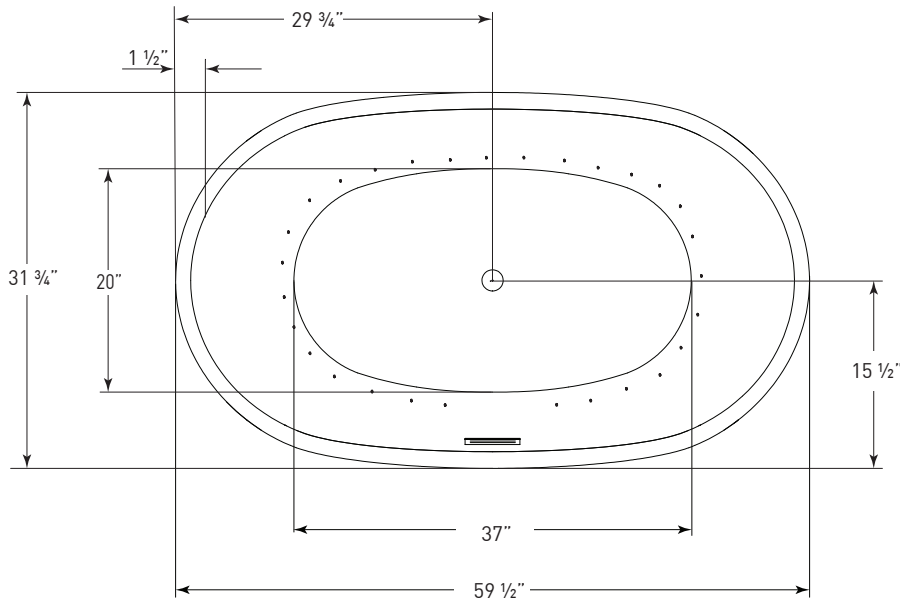
### ELECTRICAL SPECIFICATIONS

Required Electrical Service 110/115 Volts  
Standard Air 20 amp GFI

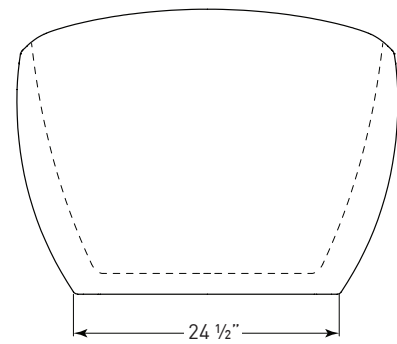
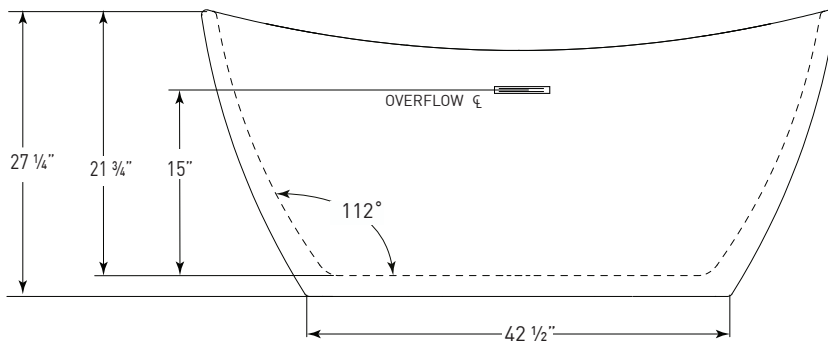
Each blower must be protected by a dedicated GFI breaker (refer to local codes).  
Cannot be more than 15 ft from the tub.

### CODES/STANDARDS APPLICABLE

Specific model meets or exceeds the requirements for the following standards: ANSI, ASME



**BLOWER MUST BE  
REMOTE MOUNTED**



JETTACORP.COM

#### INSTALLATION: Measure tub before installing.

Dimensional variance on drawings may be +/- 1/2 inch and are subject to change without notice

© 2019 Jetta Corporation. All rights reserved.  
Specifications are subject to change without notice.

REV 04/2021