



CLASSIC SERIES

MORGAN

J142S

66" x 33" x 23" CENTER DRAIN

GENERAL

- High-gloss, high-impact UV-resistant acrylic
- Adjustable feet
- Minimalist tub design
- Skirted on three sides for wall installation
- Insulated bathing well

OPERATING GALLONS

63 (approx.)

COLORS AVAILABLE

- White

INTEGRATED WASTE & OVERFLOW

- Polished Chrome standard
- Color Match White available as upgrade

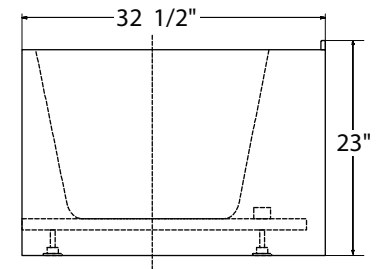
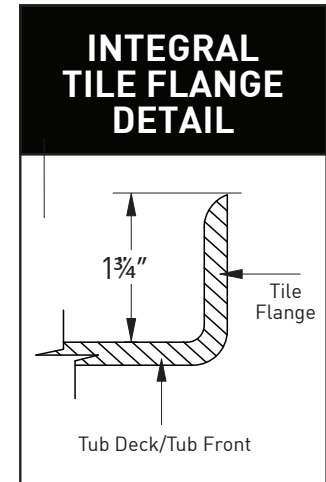
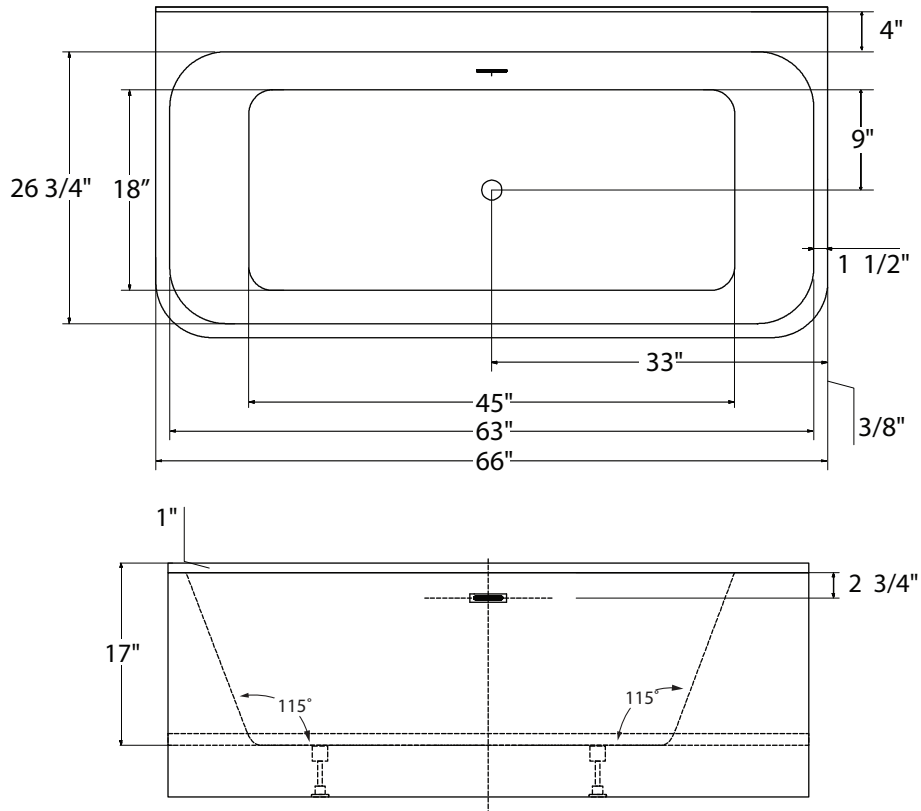
FOR INFORMATION
OR TO PLACE AN ORDER
CALL 1.800.288.7771



JETTASOAK
HYDROTHERAPY

MORGAN J142S

JETTA SOAK HYDROTHERAPY | 66" x 33" x 22" | CENTER DRAIN



CODES/STANDARDS

Specified model meets or exceeds the requirements for the following standards: ANSI, ASME

Installation: Measure tub before building tub deck. For best results, Jetta Corporation recommends 1"-3" of mortar bedding under the tub base for maximum support. Dimensional variance on drawings may be +/- 1/2 inch and are subject to change without notice.



JETTACORP.COM

© 2020 Jetta Corporation. All rights reserved. Specifications are subject to change without notice. REV 12/2020

TECHNICAL SPECIFICATIONS