



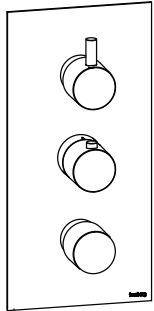
# 100.4801 | Four Output 3/4" Thermostatic Valve & Trim

## SPECIFICATIONS:

- Turn middle knob to control temperature.
- Turn top knob to divert water flow between outlets 1 & 2.
- Turn top knob to divert water flow between outlets 3 & 4.
- Thermostatic Valve Flow Rate - 13.0 GPM @ 60 PSI
- Extension Available - TVH.4401E\*\*

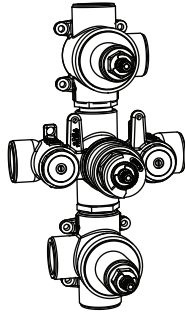
## STANDARDS:

- ASME A112.18.1 / CSA B125.1



Trim  
[ 100.4500T\*\* ]

+



Valve  
[ TVH.4801 ]

Belgian Mirror Finish



Legislation Compliance

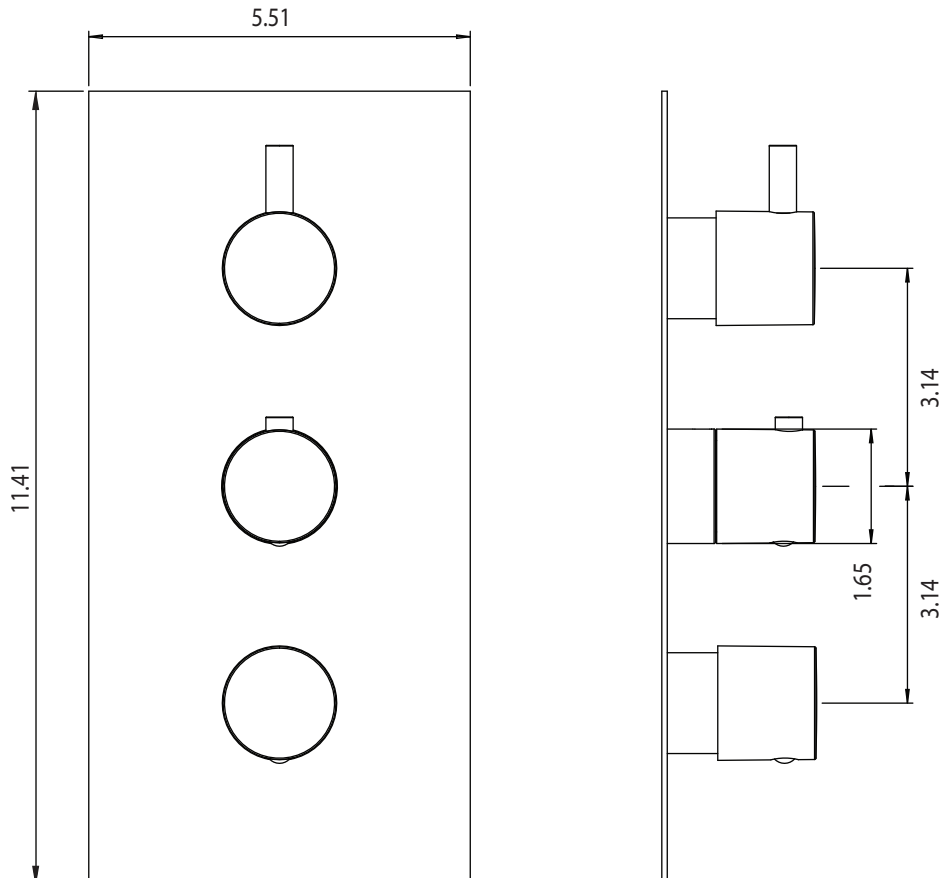


ZeroDrip Technology



**!**  
A separate volume control is **not** needed to turn water supply off. Volume control functionality is integrated within this valve.

## Technical Diagram





**TVH.4801 | Four Output 3/4" Thermostatic Valve**

**OUTPUT OPERATION**

**TOP HANDLE**

Total 3 Positions as defined below, with **only** 1 port active at one time.

- Position 0 - Off - No Water Flow
- Position 1 - Output 1 Activated
- Position 2 - Output 2 Activated

**BOTTOM HANDLE**

Total 3 Positions as defined below, with **only** 1 port active at one time.

- Position 0 - Off - No Water Flow
- Position 1 - Output 3 Activated
- Position 2 - Output 4 Activated

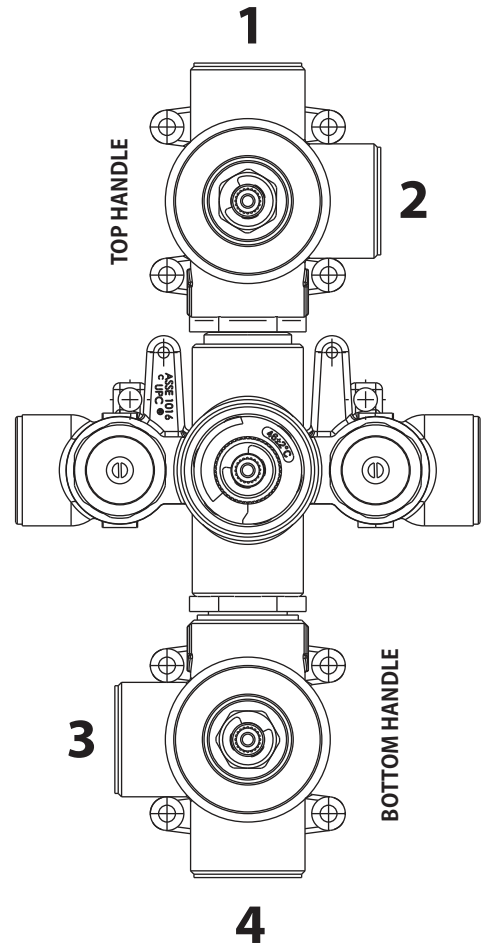
**PORT OPERATION**

Ports that can be operated simultaneously:

- Output 1 & 3 can be operated simultaneously
- Output 1 & 4 can be operated simultaneously
- Output 2 & 3 can be operated simultaneously
- Output 2 & 4 can be operated simultaneously

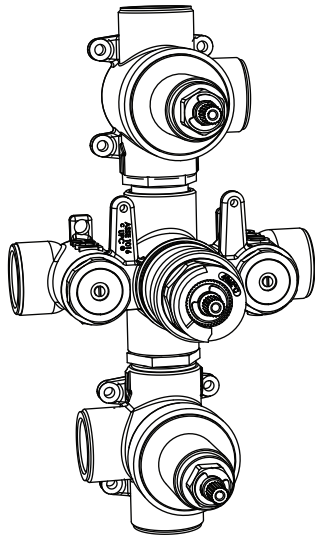
Ports that cannot be operated simultaneously:

- Output 1 & 2 cannot be operated simultaneously
- Output 3 & 4 cannot be operated simultaneously





**TVH.4801 | Four Output 3/4" Thermostatic Valve**



**SPECIFICATIONS:**

- Turn middle knob to control temperature.
- Turn top knob to divert water flow between outlets 1 & 2.
- Turn top knob to divert water flow between outlets 3 & 4.
- Thermostatic Valve Flow Rate - 13.0 GPM @ 60 PSI
- Extension Available - TVH.4401E\*\*

**STANDARDS:**

- ASME A112.18.1 / CSA B125.1

**WARRANTY:**

- Limited lifetime warranty to the original consumer purchaser against finish and workmanship

**!** A separate volume control is **not** needed to turn water supply off. Volume control functionality is integrated within this valve.

Legislation Compliance



ZeroDrip Technology



**Technical Diagram**

