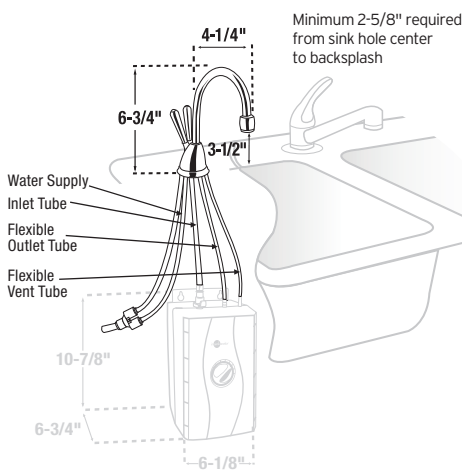




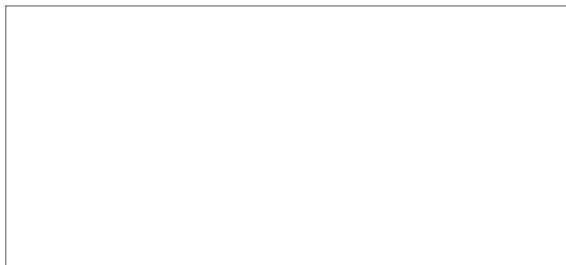
# The Next Necessity™



## Dimensions



## Job Specifications



## Instant Hot Water Dispensers



### HC-View-SS

Graceful, clean, transitional design dispenses instant near-boiling 200°F and cool drinking water

## Submittal Sheet

- **Hot & Cool** - Dispenses near-boiling 200°F and cool drinking water
- Durable all metal construction
- Includes 2/3-gallon hot water tank
- Easy to adjust temperature control
- Tool-free tank connections and dry start protection to ease installation
- Provides 60 cups/hr of near-boiling water
- Fits countertops up to 3" thick
- *We Come To You*® 3-Year In-Home Limited Warranty\*
- 115 volts, 750 watts, 6.5 amps
- **Available in these designer finishes:** chrome and satin nickel
- Unit not for commercial/industrial use

## Sample Specification

Instant hot water dispenser(s) shall be InSinkErator Model HC-View-SS with 2/3-gallon hot water tank, adjustable temperature from 160°F to 210°F and instant, self-closing hot valve.

### Warranty:

3-year parts and in-home service.

\* The complete InSinkErator warranty is included in the Care & Use booklet packed with each unit.

US Patent Pending (tank enclosure)

## Specifications

Capacity	2/3-gallon hot water tank dispenses 60 cups of 200°F water per hour
Electrical	115 volts A.C., 750 watts, 6.5 amp heating element with grounded three (3) prong plug
Thermostat	Snap-action, adjustable from 160°F to 210°F (factory pre-set at 200°F)
Insulation	Meets U.L. 94HF-1 flammability specification
Hot Valve	Instant, self-closing
Cold Valve	Instant, self-closing
Recommended Supply Pressure	30-125 psi
Shipping Weight	Approximately 8.5 lbs.
Required Hole Diameter	1-1/4" standard sink hole

Water Filtration System Available

\* For counters up to 3/4" thick.



USA

1-800-558-5700  
www.insinkerator.com

Canada

1-800-558-5700  
www.insinkerator.ca

**EMERSON**  
Commercial & Residential Solutions

The Emerson logo is a trademark and a service mark of Emerson Electric Co. InSinkErator may make improvements and/or changes in the specifications at any time, in its sole discretion, without notice or obligation and further reserves the right to change or discontinue models.

© 2016 InSinkErator, InSinkErator® is a business unit of Emerson Electric Co. All Rights Reserved.