

# MELISSA 7236

DESIGNER COLLECTION

# H | S

## PVC SYSTEMS INCLUDE:

- 8 Fully directional adjustable PVC jets
- Anti-vortex safety suction
- Color matched system trim
- HydroOzone ozone sanitation system
- Rigid PVC piping
- Self draining pump and system
- Soft Touch electronic on/off control with 30-minute integral times
- 2.25 HP single speed pump
- Cable waste and overflow
- Requires 20 Amp Dedicated GFCI



Gentle radiuses and ample bathing room make the Melissa a classic tub with great functionality. With a narrow deck all around, this tub provides the maximum bath well for the size. Visit <http://www.hydrosystem.com> for more details on our options and accessories.



## OPTIONS

- \* Colonial Grab Bars
- \* Linear Integral Waste and Overflow
- \* Chromotherapy-LED Lighting System
- Microban Antibacterial Protection
- Extra high density fiberglass
- Custom jet and pump locations
- Armrests available
- Flange molded
- Skirt
- Plated Metallic finish
- Additional directional swirling jets
- Swirling, Rotating, or Jumbo Jets
- Micro Therapy Jet
- Integral Waste and Overflow (circular)
- 1.5 HP Variable Speed Pump (digital temperature display optional)
- Electronic low water protection
- In-line heater
- Back Masseur
- Neck Masseur Pillow
- Hydro Fusion
- Hydro Coat
- Hydro Express quick ship

**HYDRO SYSTEMS**  
Family Owned And Operated Since 1978

29132 Avenue Paine, Valencia, CA, 91355  
661.775.0686 | [hydrosystem.com](http://hydrosystem.com)

\* Indicates options that are shown (listed in order from top to bottom/ left to right)

# MELISSA 7236

DESIGNER COLLECTION

# H | S

**As SHOWN:**

Whirlpool option with standard jet location

**FEATURES SHOWN:**

- Jets
- Overflow location

**ALSO AVAILABLE:**

- Soaking tub only
- Thermal Air
  - Approx 70 injections
- Combo

**SIZE:**

72.36.20

**WATER CAPACITY:**

90 Gallons

**WEIGHT:**

85-125 Pounds

**DROP-IN INSTALLATION DIMENSIONS:**

- (L)ength- 70"
- (W)idth- 34"
- (H)eight Finish- 20"

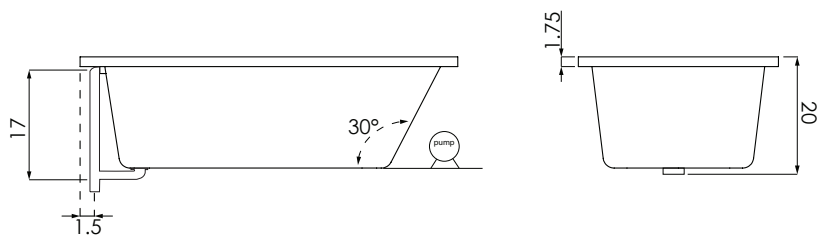
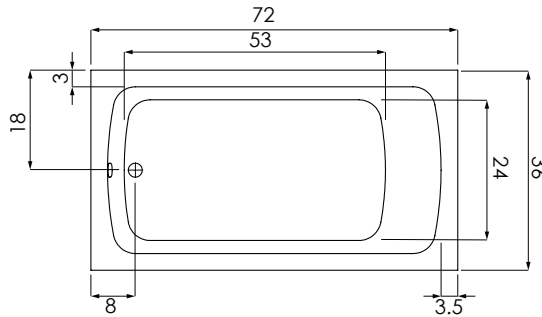
**3-WALL INSTALLATION DIMENSIONS:**

- (L)ength- 72"
- (W)idth- 36"
- (L)edger- 19.25"



**ACRYLIC TUB**

- Acrylic models finished in 1/8" thick layer of deep lustrous acrylic
- Extra thick reinforced fiberglass
- Pre-wired pump on pump platform (standard pump location only)
- Integral E-Z level platform facilitates installation
- Tub must be set in a mortar base
- When adding linear option, p-trap is located directly below waste



**CODES AND COMPLIANCES**

Massachusetts code File no: P1-0614-491



**HYDRO SYSTEMS**  
Family Owned And Operated Since 1978

29132 Avenue Paine. Valencia, CA, 91355  
661.775.0686 | hydrosystem.com

All specifications and options subject to change without notice please contact a Hydro Systems representative for more information. Certain options or altering the pump/blower location may cause the pump/blower to extend beyond the tub decking. For cutout dimensions wait for unit to arrive. All specifications subject to change without notice.