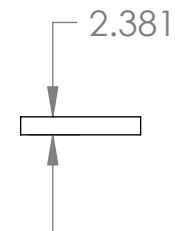
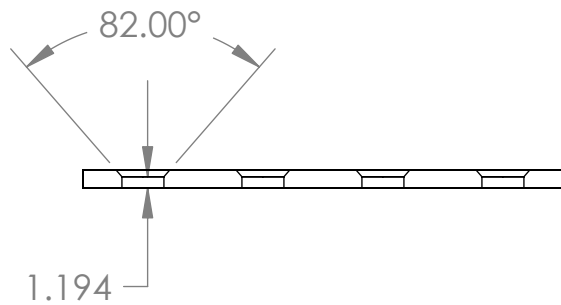


Ø 5.556 MM Hole for #6 Screw.



Drawn by: Udhay.N	Scale: 1:1	Date: 01/14/05
----------------------	---------------	-------------------

HARDWARE RESOURCES

4319 MARLENA ST, BOSSIER CITY, LA71111

PART NAME: 2-1/2" MENDING PLATE

MATERIAL: HRS/CRS

ITEM NO: 9314

PLATING: ZINC

TOLERANCES
UNLESS OTHERWISE SPECIFIED
TOLERANCES ARE IN METRIC

OVER ALL LENGTH ±0.1MM
ANGLES ±0° 30'

* - Critical Dimensions

Sheet 1/1