

Grab Bar
(1)

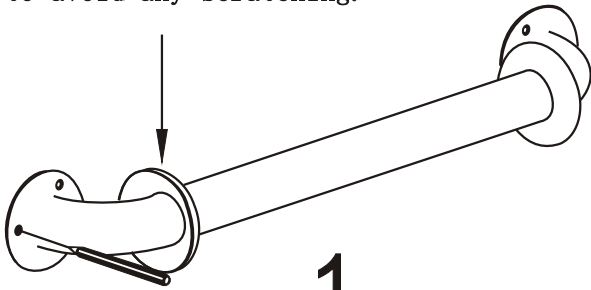


Plastic Wall Anchor
(6)

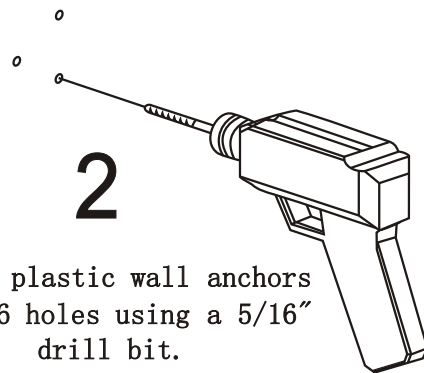


#9x1-3/4" Flat Head Screw
(6)

Move end cap slowly along bar
to avoid any scratching.

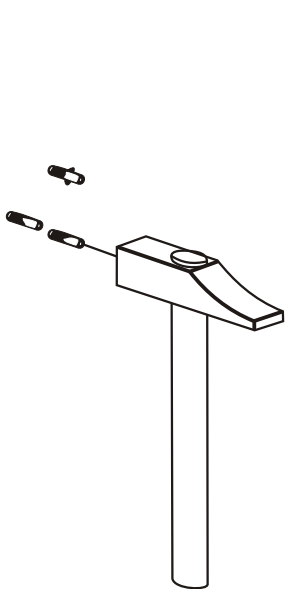


1

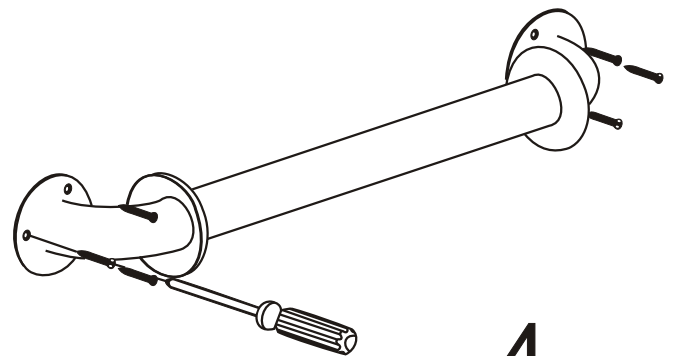


2

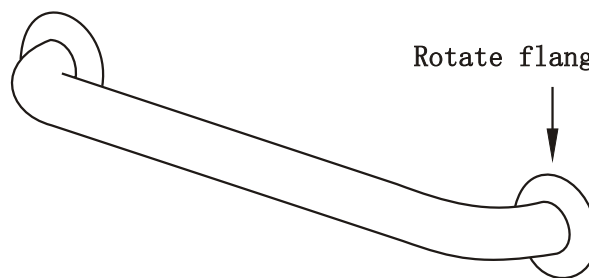
To use plastic wall anchors
drill 6 holes using a 5/16"
drill bit.



3



4



Rotate flange to fit.

5