

A	B	C	D	E	WT.
30"	30"	15"	15"	15"	160
30"	36"	18"	18"	15"	250
30"	60"	30"	30"	15"	400
32"	32"	16"	16"	16"	241
32"	36"	18"	18"	16"	295
32"	42"	21"	21"	16"	325
32"	46"	23"	23"	16"	340
32"	48"	24"	24"	16"	360
32"	54"	27"	27"	16"	425
32"	60"	30"	30"	16"	435
34"	34"	17"	17"	17"	253
34"	42"	21"	21"	17"	335
34"	48"	24"	24"	17"	346
36"	30"	15"	15"	18"	250
36"	32"	16"	16"	18"	295
36"	34"	17"	17"	18"	300
36"	36"	18"	18"	18"	315
36"	42"	21"	21"	18"	365
36"	48"	24"	24"	18"	445
36"	54"	27"	27"	18"	465
36"	60"	30"	30"	18"	500
40"	40"	20"	20"	20"	390
40"	48"	24"	24"	20"	510
42"	32"	16"	16"	21"	325
42"	34"	17"	17"	21"	335
42"	36"	18"	18"	21"	365
42"	42"	21"	21"	21"	381
48"	32"	16"	16"	24"	360
48"	34"	17"	17"	24"	346
48"	36"	18"	18"	24"	445
48"	48"	24"	24"	24"	550
54"	36"	18"	18"	27"	465
60"	30"	15"	15"	30"	400
60"	32"	16"	16"	30"	435
60"	36"	18"	18"	30"	500

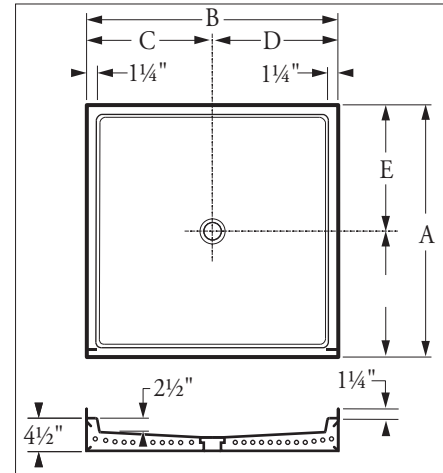
Model 100 is not I.A.P.M.O. listed.

**Dimensions subject to change without notice.
Contact Florestone Products to verify product specifications.**

Dimensions may vary $\pm \frac{1}{4}$ " inch. Please check unit before installation.
Place receptor on a minimum $\frac{1}{4}$ " bed of mortar or plaster for warranty compliance.

Florestone Terrazzo Model 100 Shower Receptors

Center drain terrazzo shower receptor with $\frac{1}{4}$ " flanges on all four sides.



Architect's Specifications

Furnish and install Model 100 terrazzo receptor as manufactured by Florestone Products Company. Shoulder will be not less than $2\frac{1}{2}$ " inside. Flange, cast integral, will be galvanized-bondered steel and extend not less than one inch (1") above shoulder on four sides for installation. Drain body will be brass, cast integral, and will provide for a non-caulked connection not less than one inch deep to a two inch pipe. Receptor will be manufactured of tan and white marble chips cast in white Portland cement to produce a compressive strength of not less than 3,000 PSI, seven days after casting. Terrazzo surface will be ground, polished, and the entire unit sealed to resist stains and moisture after any air holes and/or pits are grouted. Receptor will be reinforced with 16 gauge wire. Removable type stainless steel strainer plate will be supplied.

Options

Offset drain. (Drawings required)

Note: Terrazzo is not designed to be used with anything that is over 130 degrees Fahrenheit.



FLORESTONE PRODUCTS CO., INC.

2851 Falcon Drive • Madera, CA 93637

T. 559.661.4171 • T. 800.446.8827

F. 559.661.2070 • florestone.com