



## Solid Plastic Seats Elongated

Institutional • Commercial • Heavy-Duty

**550STSCC**

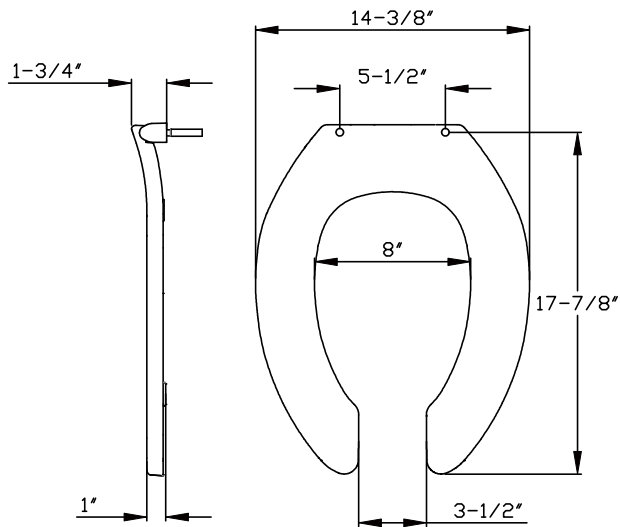


### DETAILS

Heavy-duty, open front, less cover for elongated bowl.  
Stainless steel check-hinge with gasket, metal flat washers,  
lock washers and stainless steel nuts.

Standard Features:

- Corrosion-free stainless steel hinge posts
- Check-hinge posts
- Extended back with concealed hinge
- Integrally-molded, permanent & sanitary color keyed bumpers
- Corrosion-free hardware
- Withstands cleansers, strong chemicals
- Self-sustaining hinge available



Dimensions shown are nominal and may vary within a range of tolerance.