

California Faucets®

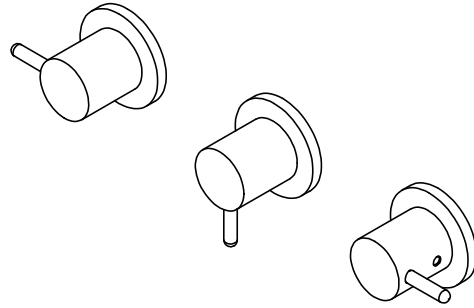
# MIRAMAR™

## THREE HANDLE TUB & SHOWER TRIM

### TO-6203L

#### Features

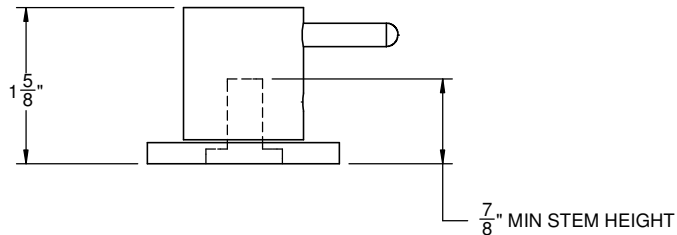
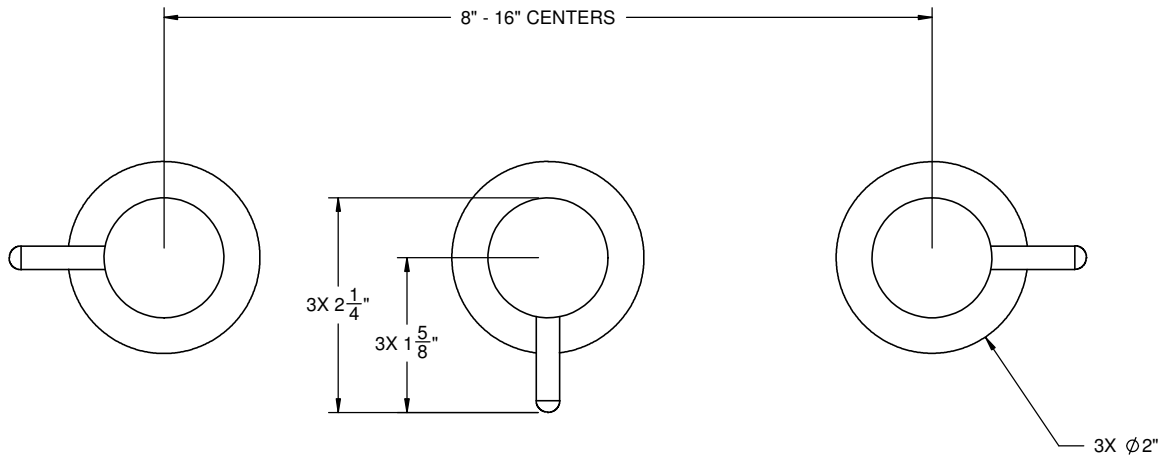
- Less head, arm, flange, and spout
- Requires rough-in (3-VR) sold separately
- Solid brass construction
- Over 30 finishes including 15 PVD finishes



#### Codes/Standards

Product meets or exceeds the following:

- ASME A112.18.1/CSA B125.1
- ADA compliant



THRU HOLE SEPCIFICATIONS		
	MIN	RECOMMENDED
VALVE:	Ø11/16"	1-1/4"