



California Faucets®

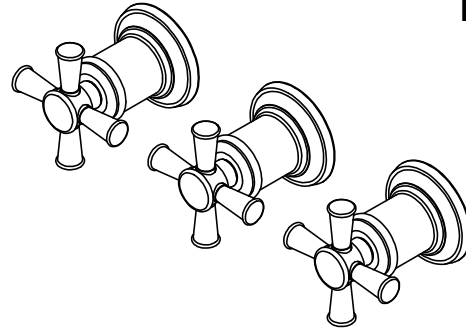
MIRAMAR™

THREE HANDLE TUB & SHOWER TRIM

Features

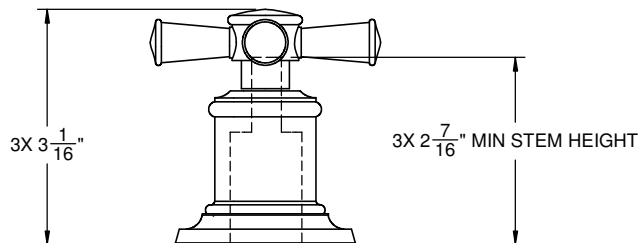
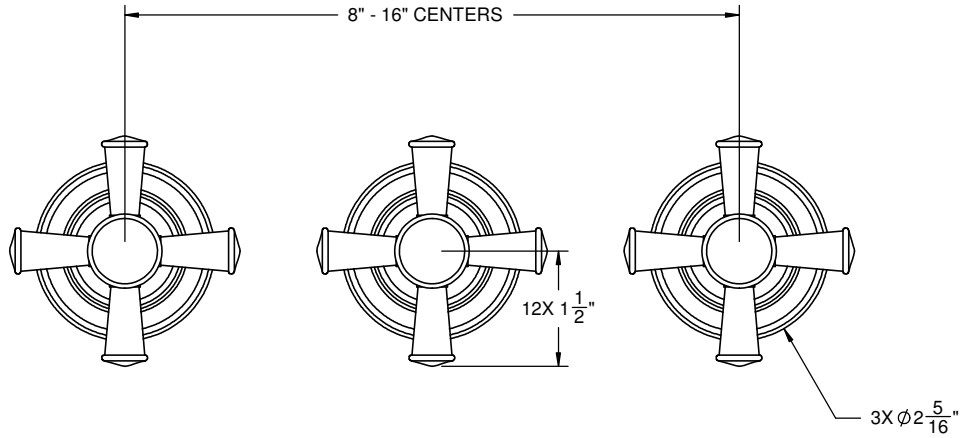
- Less head, arm, flange, and spout
- Requires rough-in (3-VR) sold separately
- Solid brass construction
- Over 30 finishes including 15 PVD finishes

TO-4803XL



Codes/Standards

- Product meets or exceeds the following:
- ASME A112.18.1/CSA B125.1



THRU HOLE SEPCIFICATIONS		
	MIN	RECOMMENDED
VALVE:	Ø11/16"	1-1/4"