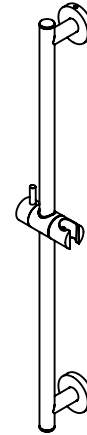




Features

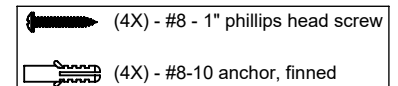
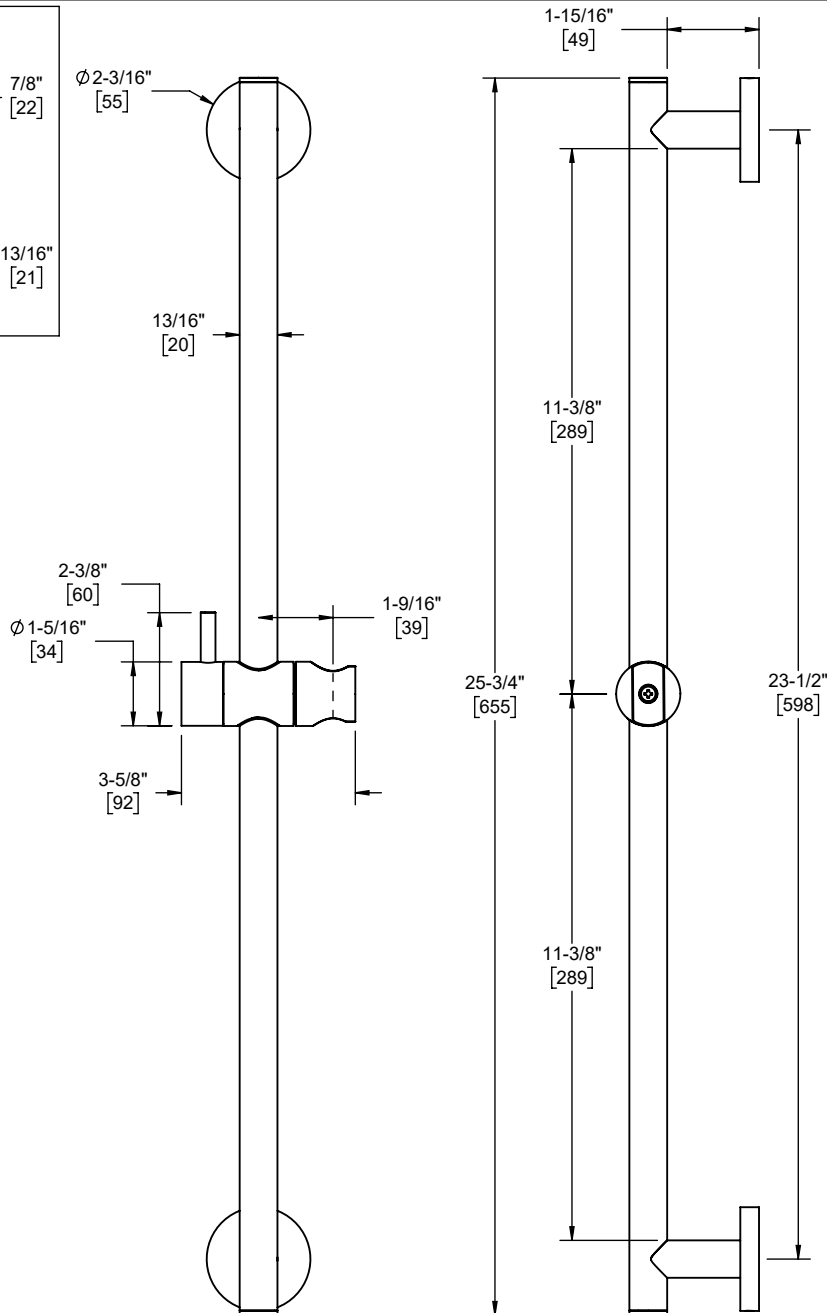
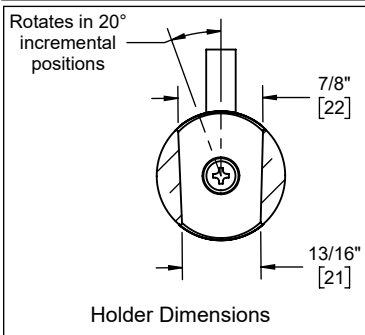
- Available in 28 finishes including 13 PVD finishes
- All brass construction
- Adjustable position slide with positive-detent swivel holder
- Accepts most conical handshower hoses
- Right or left handed based on installation
- Includes all mounting hardware



Codes/Standards

Product meets or exceeds the following:

- ASME A112.18.1/CSA B125.1



Dimensions are inches, rounded to 1/16"
[Dimensions in brackets are mm, rounded to 1mm]