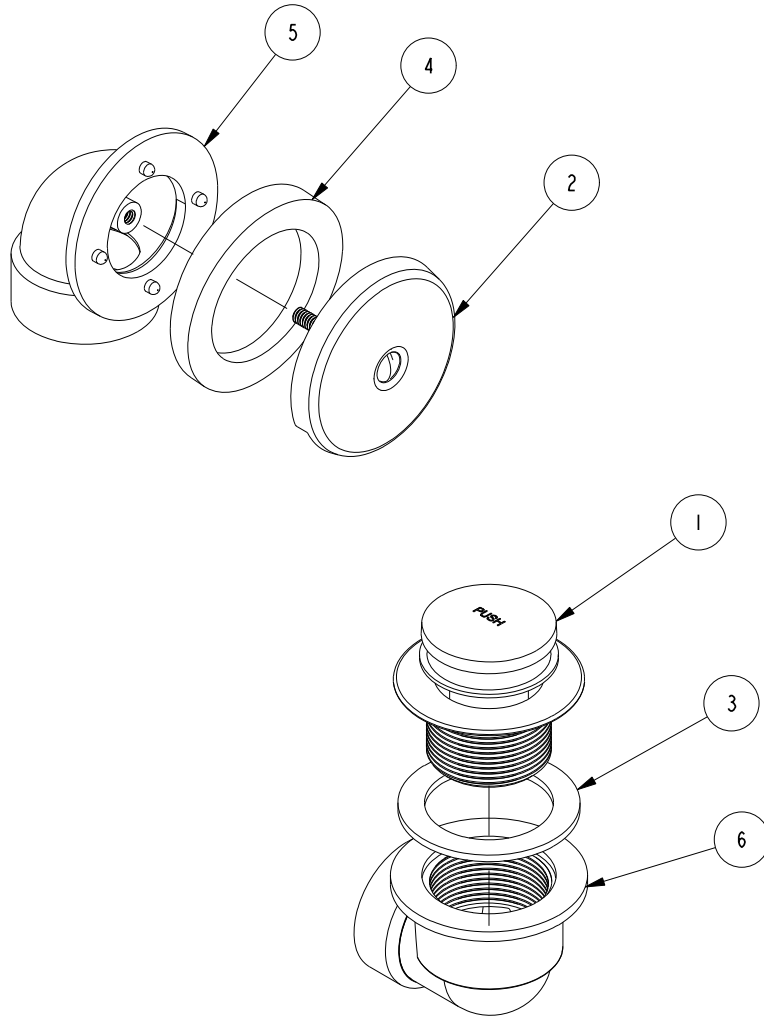


NOTES:

(N1) 1. FIT / FORM / FUNCTION SHALL FOLLOW PS-E.008.



BILL OF MATERIAL (CURRENT LEVEL)

ITEM	PT/ASSY	DESCRIPTION	TYPE	QTY.
1	272	TOE ACTIVATED TUB DR	ASSEMBLY	1
2	265	FACEPLATE FOR W/O	ASSEMBLY	1
3	91170	WASHER	PART	1
4	91171	GASKET	PART	1
5	50255	ELBOW OVERFLOW 1-1/2 IN.	PART	1
6	50256	ELBOW WASTE 1-1/2 IN.	PART	1

TESTING	-	-	-
ASSEMBLY	-	-	-
PLATING	-	-	-
POLISHING	-	NEXT ASSY	USED ON
MACHINING	-	APPLICATION	
TOOLING	FIXTURE #	REMOVE ALL BURRS AND SHARP EDGES	

UNITS ARE: INCHES [MM]
 TOLERANCES ARE:
 FRACTIONS DECIMALS ANGLES
 $\pm 1/16"$.X $\pm .1$ [2,5] $\pm 1^\circ$
 .XX $\pm .06$ [1,5]
 (X.XXX) DENOTES CRITICAL DIMS.
 ALL THREADS ARE CRITICAL

BRASSTECH 2001 CARNEGIE AVE.
 INCORPORATED SANTA ANA, CA 92705
 (949) 417-5207

TOE-ACTIVATED DRAIN KIT

ZONE	REV	DESCRIPTION	DATE	APPROVED
-	-	RELEASE	2002	J.W.

COPYRIGHT 2005 BRASSTECH, INC.
 THESE DRAWINGS AND THE DESIGNS
 DEPICTED HEREIN ARE THE PROPRIETARY
 PROPERTY OF BRASSTECH. ANY USE
 OR REPRODUCTION IS SUBJECT TO
 THE EXPRESS APPROVAL OF BRASSTECH.
 UNAUTHORIZED USE IS STRICTLY
 PROHIBITED. ALL RIGHTS RESERVED.

DRAWN	H. LE	11/10/15
CHECKED	V. VU	11/10/15
APPROVED	V. VU	11/10/15

DWG NO.	276	REV	-
SCALE	.350	REF.	-
SHEET		OF	