

**67" SYDNEY
ACRYLIC
RECTANGULAR TUB**

Cat. No.
ATREC7H67B



L: 66-1/2"
W: 29-1/2"
H: 23"

Water depth: 16" to top of tub

The following is recommended for ATREC7H 67Btubs:

- Faucets: part #4601 and #4201
- Straight Bath Supplies: part #5577
- Leg tub drain: part #5599LT



Overflow can be drilled .
With overflow drilled this tub
requires drain 5599.
**Tubs that have been
drilled with overflow are
"special order" and
are not returnable.**

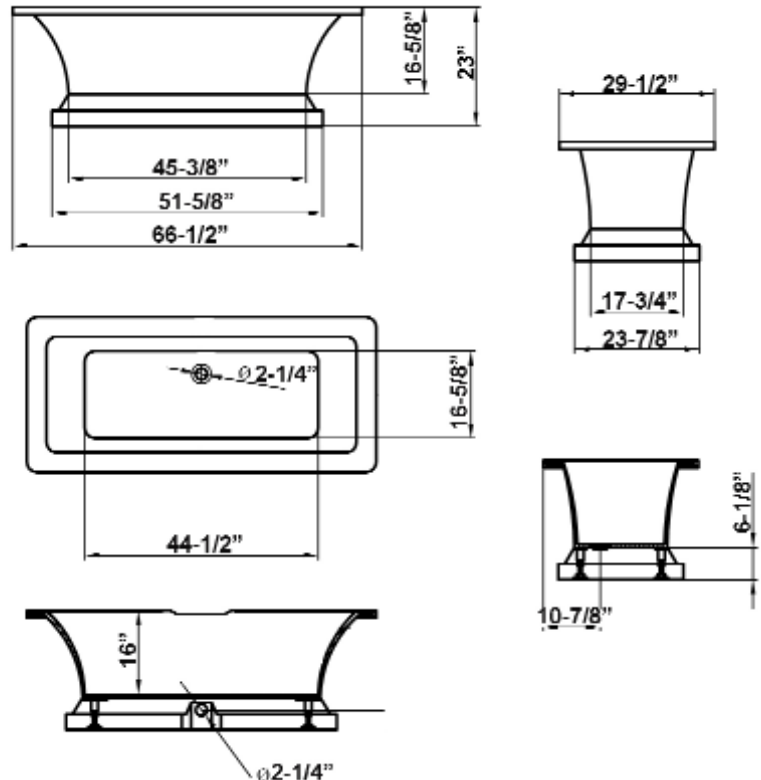
Gallon Capacity : 53
Shipping Weight: 142 lbs.
Empty Weight: 82 lbs.
Filled Weight: 528 lbs.

Features:

- ▶ Acrylic construction for lighter weight
- ▶ Fashionable base adds elegant touch
- ▶ 7" centers in tub deck
- ▶ No overflow
- ▶ Built-in adjusters included
- ▶ Tub is thoroughly inspected before shipment
- ▶ IAPMO Certified



Custom Colors Available (inside of tub is always white enamel):
Painted bathtubs are considered "special order" and are not returnable
\$160 Bisque or Black \$250 Designer Color



Dimensions of fixture are nominal and specifications subject to change without notice.