

STANDARD SHOWER ARM

Cat.No.
5692



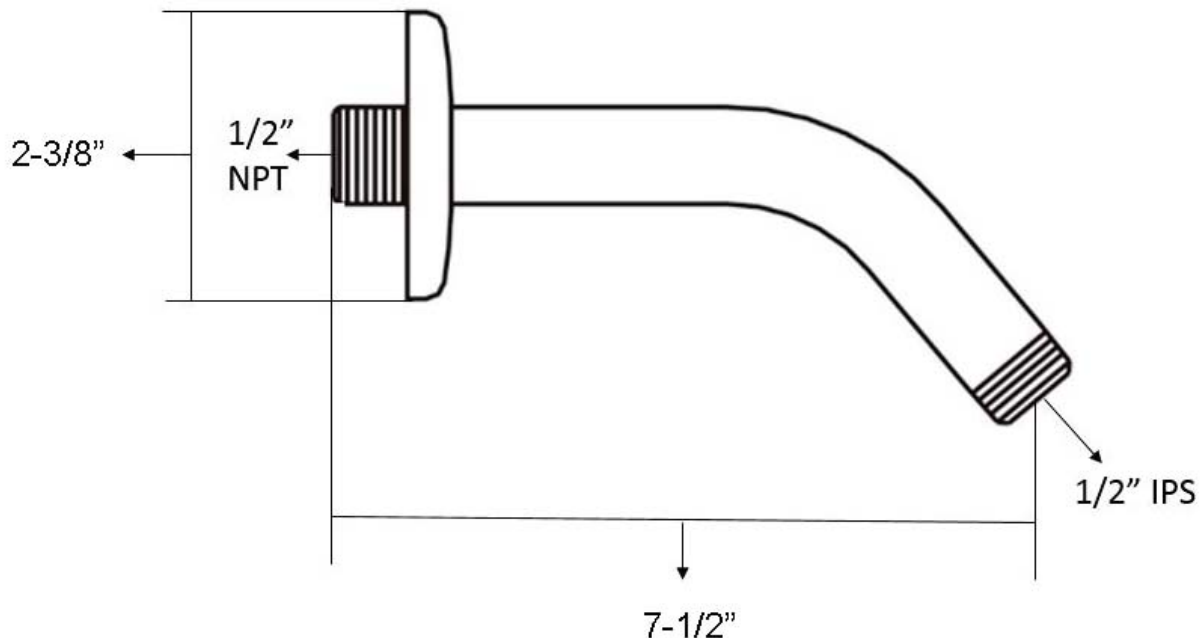
L: 7-1/2"

Features:

- ▶ 8" Standard shower arm
- ▶ Solid brass construction
- ▶ Extra heavy, 2-1/8" cm
- ▶ 2-3/8" Flange included
- ▶ 3/4" Outer diameter
- ▶ 1/8" Thickness
- ▶ Available in 5 finishes
- ▶ Also available in 12" (**5693**)

Finishes:

- CP** Polished Chrome
- BN** Brushed Nickel
- PN** Polished Nickel
- PB** Polished Brass
- ORB** Oil Rubbed Bronze



Dimensions and specifications subject to change without notice.