

AXOR MyEdition
Single lever basin mixer 70 with push-open waste set
Surfaces: **Chrome/Mirror Glass** Article Number: **47010001**



Description

product features

- ComfortZone 70
- projection 151 mm
- plate of glass made of safety glass
- spray type: PowderRain
- flow rate at 3 bar: 4.5 l/min
- ceramic cartridge
- temperature limitation adjustable
- with isolated water conduction
- suitable for continuous flow water heaters
- connection type: G 3/8 connections
- ADA/IAPMO/3016
- CEC/California/Watersaving
- cUPC/IAPMO/3016/Lavs/1,2gpm
- DOE/FTC
- WaterSense/IAPMO/5921/Lavs
- NSF372(LL)/Iapmo/6738-(No NSF Logo!)
- NSF61/IAPMO/N3016-(No NSF Logo!)
- TECQ/Texas Registered

Technology



Product image

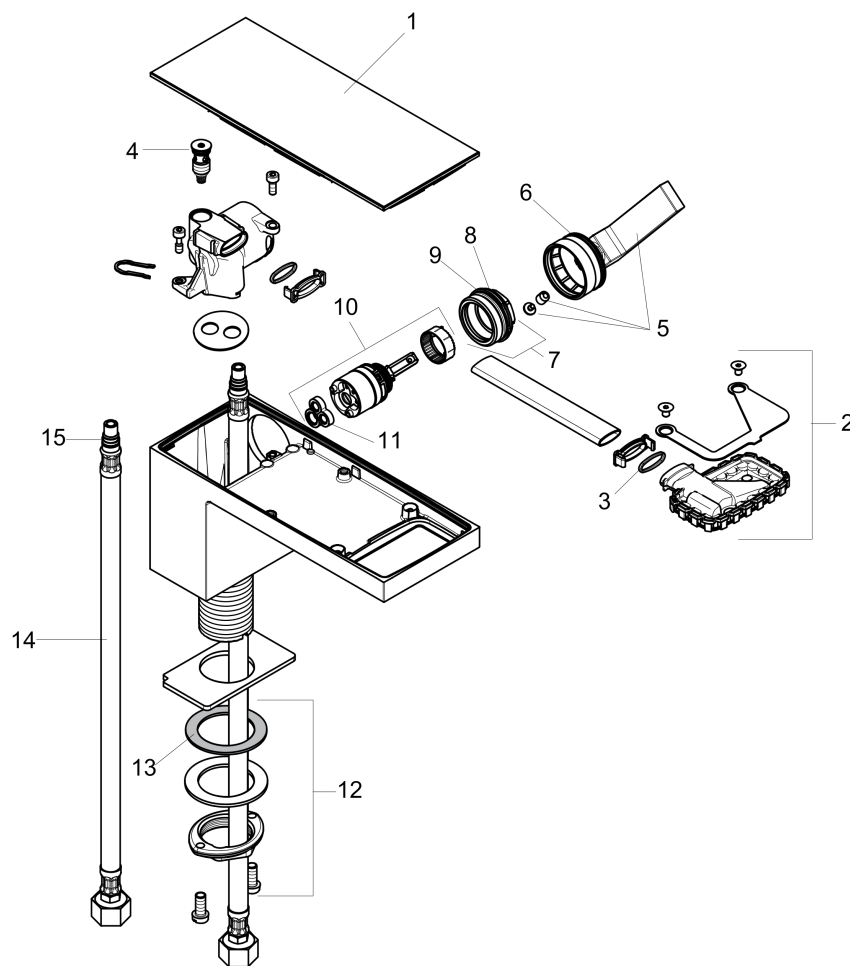


AXOR MyEdition
Single lever basin mixer 70 with push-open waste set
Surfaces: **Chrome/Mirror Glass** Article Number: **47010001**



Exploded Drawing

Year of production: >02/19



AXOR MyEdition
Single lever basin mixer 70 with push-open waste set
 Surfaces: **Chrome/Mirror Glass** Article Number: **47010001**



Spare part list

Year of production: >02/19

Pos.	Description	Article Number	PC	PU
1	cover	47900000	0	1
2	spray former	93385000	0	1
3	O-ring 13x1,5	98475000	0	1
4	O-ring 8x1,75	97827000	0	1
5	handle	93386000	0	1
6	O-ring 33x1,5	98164000	0	1
7	nut	92926000	0	1
8	O-ring 30x1,5	98433000	0	1
9	O-ring 25x1,5	98146000	0	1
10	cartridge, assy	92900000	0	1
11	seal	93383000	0	1
12	fixing set (Ø 32)	13961000	0	1
13	lever collar	97548000	0	1
14	connection hose 35½" M8x0,75 3/8"	96316001	0	1
15	O-ring 7x1,5	98422000	0	1